

Scalers/Chisels

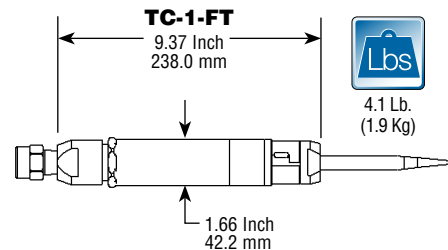
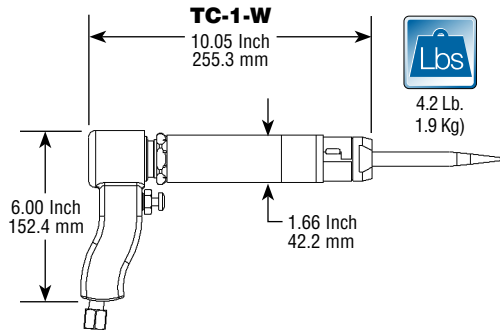
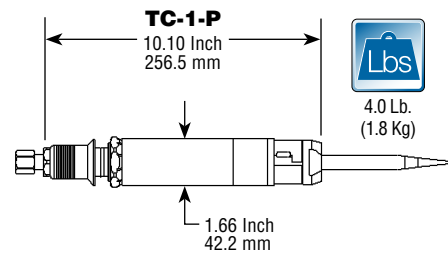
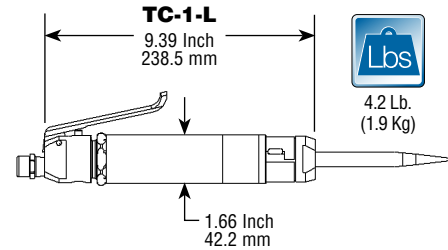


Air Inlet Size: 1/4" NPT
Hose Size Recommendations: 3/8" (10 mm)
Extra Charge Accessories

- Needle Scaler Attachments • Extended Reach Handle • Safety Lever

Standard Equipment

- Tool • Operating Instructions and Service Manual



Quick Order Number		
Model Number	Handle Style	Ordering Number
TC1	Lever	TC1L
	Safety Lever	TC1K
	Push	TC1P
	Offset (Pistol)	TC1W
	Flow Through	TC1FT
TC1 Floor Scraper	Lever	TC1L;PL48
	Safety Lever	TC1K;PL48

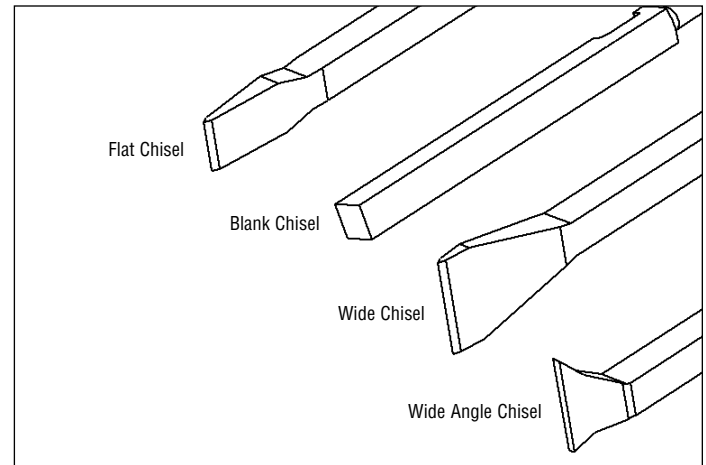
1 Inch x 1.13 Inches (25.4 mm x 29.0 mm)

4650

20 cfm (9.4 L/s) Max

Chisels – 1/2 Inch Square Shank			
Description	Cutting Edge	Overall Length	Part Number
Narrow Flat Chisel	3/4" (19mm)	7" (178mm)	839051
Narrow Flat Chisel	3/4" (19mm)	12" (305mm)	839341
Narrow Flat Chisel	3/4" (19mm)	18" (457mm)	839335
Wide Angle Chisel	1 3/8" (34.9mm)	7" (178mm)	839050
Wide Angle Chisel	1 3/8" (34.9mm)	12" (305mm)	839299
Wide Angle Chisel	1 3/8" (34.9mm)	18" (457mm)	839334
Blank Chisel		7" (178mm)	839052
Blank Chisel		12" (305mm)	839053
Blank Chisel		18" (457mm)	839054
Wide Chisel	1 3/8" (34.9mm)	7" (178mm)	839467
Wide Chisel	1 3/8" (34.9mm)	12" (305mm)	839469
2 Inch Wide Scraper	2" (50.8mm)	7" (178mm)	839468

Other Sizes And Styles Available



SCALERS