

Pin Routers

1/4" or 3/8" Shank Bits
1.2 H.P. (900 W)



400PCEK

Air Inlet Size: 3/8" NPT
Hose Size Recommendations: 1/2" (13 mm)
Extra Charge Accessories

- Router Guides • Safety Lever

Standard Equipment

- Tool • Operating Instructions and Service Manual • Wrenches

Quick Order Number

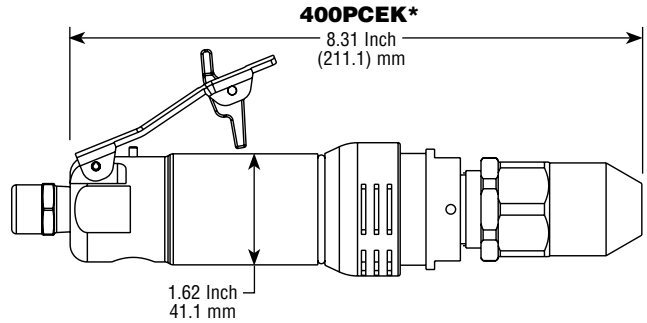
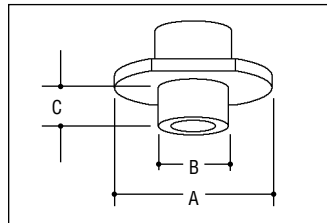
This chart has been provided as a means to quickly identify a particular tool. The ordering numbers listed represent the most common versions of our tools. If more specialized versions are required, please build your model number per the following model number flow chart.

| Model Number | Router Bit Shank Size | Maximum Operating Speed | Throttle Lever Type | |
|--------------|-----------------------|-------------------------|---------------------|--------------|
| | | | Standard Lever | Safety Lever |
| 400PCE | 1/4" | 20000 RPM | 400PCE;1/4 | 400PCEK;1/4 |
| | 3/8" | | 400PCE;3/8 | 400PCEK;3/8 |

The tools listed in this chart will be provided with an aluminum housing. Steel housing material is available. See information below for the entire spectrum of options available.

Trimmer Guides

| Model Number | For Bits With Shank Size | A | B | C |
|--------------|--------------------------|------|-------|-------|
| 4031-50-1368 | 1/4" | 0.75 | 0.375 | 0.500 |
| 4031-50-1461 | 1/4" | 1.00 | 0.375 | 0.125 |
| 4031-50-1471 | 3/8" | 1.00 | 0.438 | 0.125 |
| 4031-50-1472 | 3/8" | 1.00 | 0.438 | 0.250 |



*Rear exhaust adds 0.82 Inch (20.8mm) to overall length.



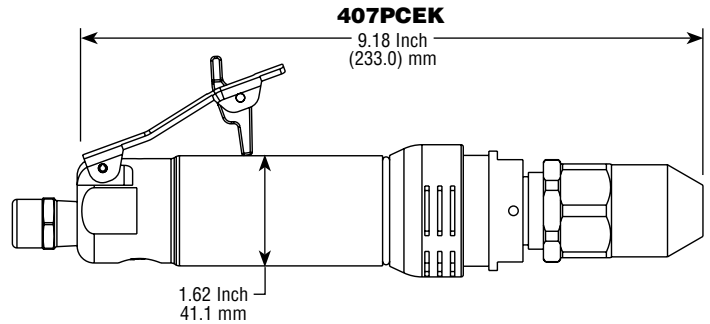
1.2 H.P. (900 W)



2.5 Lb. (1.1 Kg) Aluminum
3.1 Lb. (1.4 Kg) Steel



35 cfm (16.5 L/s) Max



1.2 H.P. (900 W)



2.6 Lb. (1.2 Kg) Aluminum
3.2 Lb. (1.4 Kg) Steel



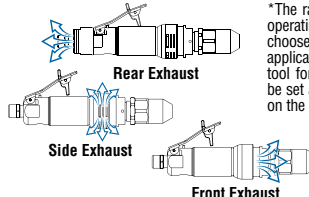
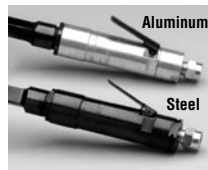
20 cfm (9.4 L/s) Free Speed
35 cfm (16.5 L/s) Max

Example Model Number: **400PCE K S R ; 18000 ; 1/4**

The blue highlighted entries are shown in the Quick Reference Box above.

| Model Number | Lever Style | Case Material | Exhaust Direction | Operating Speed | Shank Size |
|--------------|--|---|--|---|---|
| 400PCE | Please choose one of the following options: No Designation - Standard Lever K - Safety Lever | Please choose one of the following options: No Designation - Aluminum Case S - Steel Case | Please choose one of the following options: No Designation - Side Exhaust R - Rear Exhaust F - Front Exhaust | Please choose one of the following options: 20000 - 20000 R.P.M. 18000 - 18000 R.P.M. | Please choose one of the following options: 1/4 - 1/4 Inch 3/8 - 3/8 Inch |
| 407PCE | | | No Designation - Side Exhaust | 12000-15000 - 12000-15000 R.P.M.* | |

Governor Controlled Tool



*The range offered reflects the minimum to maximum operating speeds that this tool can be set. One must choose a speed within this range that best fits the application. Please examine the abrasive used with the tool for a maximum operating speed. The tool should be set at or below the maximum operating speed listed on the abrasive.

WARNING: Comply with the speed recommendation of component and bit manufacturers.