

### Floor Drills

3/8" or 1/2" Drill Chuck  
1.2 H.P. (900 W)



400FD(X)M;D1/2\*

\*The (X) is representative of gear train number (3, 5 or 8).  
The outer appearance of the tool is the same regardless of the gear train number.

**Air Inlet Size: 1/2" NPT**  
**Hose Size Recommendations: 1/2" (13 mm)**  
**Standard Equipment**

- Tool • Drill Chuck Key • Operating Instructions and Service Manual



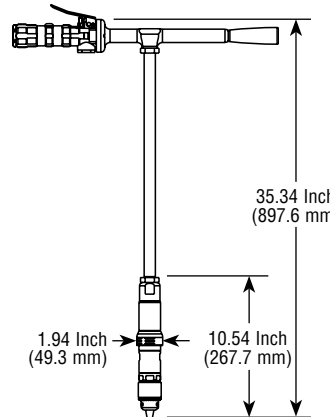
### Quick Order Number

This chart has been provided as a means to quickly identify a particular tool. The ordering numbers listed represent the most common versions of our tools. If more specialized versions are required, please build your model number per the following model number flow chart.

Model Number	Chuck Size	Maximum Operating Speed	Throttle Handle Type	
			Standard Lever	Safety Lever
400FD	3/8"	5500 RPM	400FD3ML;3/8	400FD3MK;3/8
		4200 RPM	400FD5ML;3/8	400FD5MK;3/8
		2500 RPM	400FD8ML;3/8	400FD8MK;3/8
		900 RPM	400FD21ML;3/8	400FD21MK;3/8
		550 RPM	400FD36ML;3/8	400FD36MK;3/8
	1/2"	5500 RPM	400FD3ML;1/2	400FD3MK;1/2
		4200 RPM	400FD5ML;1/2	400FD5MK;1/2
		2500 RPM	400FD8ML;1/2	400FD8MK;1/2
		900 RPM	400FD21ML;1/2	400FD21MK;1/2
		550 RPM	400FD36ML;1/2	400FD36MK;1/2

The tools listed in this chart will be provided with an aluminum housing. Steel housing material is available. See information below for the entire spectrum of options available.

400FD(3)(5)(8)MK\*



**HP** 1.2 H.P. (900 W)

**Lbs** 7.5 Lb. (3.4 Kg) Aluminum  
8.0 Lb. (3.6 Kg) Steel

**cfm** 35 cfm (16.5L/s) Max

\* Versions with 2 planetary gear systems (21) & (36) add 0.52 Inch (13.2 mm) to overall length

Example Model Number: **400FD3M K ; 5500 ; 1/2 ; P15**

The blue highlighted entries are shown in the Quick Reference Box above.

Model Number	Lever Style	Operating Speed	Drill Chuck Size	Pipe Extension Length
400FD3M	Please choose one of the following options: L - Standard Lever K - Safety Lever B - Thumb Switch LTK - Turned/Knurled Standard Lever KTK - Turned/Knurled Safety Lever BTK - Turned/Knurled Thumb Switch LTKW - Turned/Knurled/Cushioned Standard Lever KTKW - Turned/Knurled/Cushioned Safety Lever BTKW - Turned/Knurled/Cushioned Thumb Switch	5500 : 5500 R.P.M.	Please choose one of the following options: 3/8 : 3/8 Inch 1/2 : 1/2 Inch	P15 - 15" Extension Length (15 inch is standard equipment other sizes are available)
400FD5M		4200 : 4200 R.P.M.		
400FD8M		2500 : 2500 R.P.M.		
400FD21M		900 : 900 R.P.M.		
400FD36M		550 : 550 R.P.M.		

⚙️ Geared Tool

**WARNING: Comply with the speed recommendation of component and bit manufacturers.**