

**Horizontal Extended Grinders For 3/8-24 & 5/8-11 Cone Wheels, Burrs, Mounted Stones 1.2 H.P. (900W)**



**Powerful 1.2 H.P. Motor**

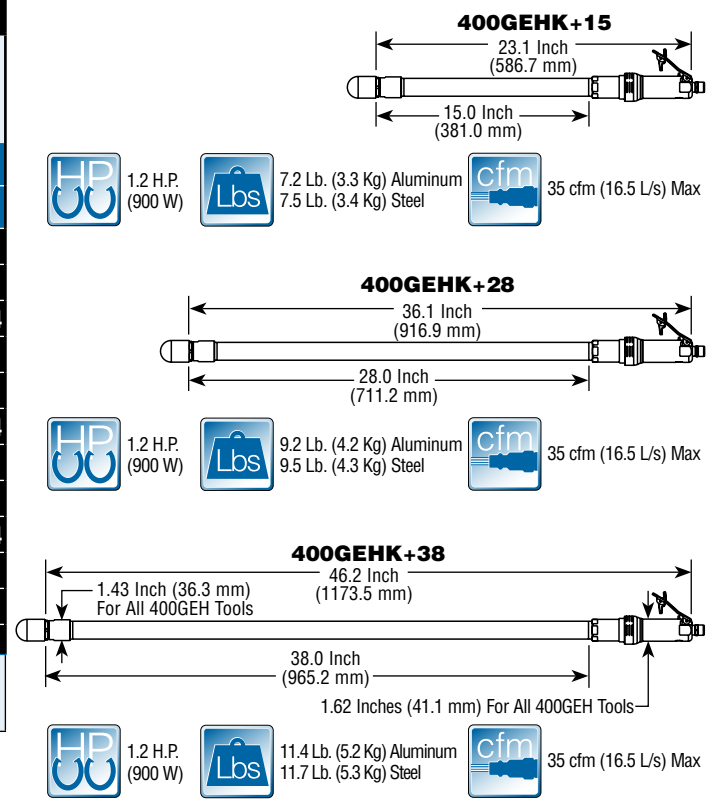


**Air Inlet Size: 3/8" NPT**  
**Hose Size Recommendations: 1/2" (13 mm)**  
**Extra Charge Accessories**

- Safety Lever
- Standard Equipment**
- Tool with Wrench/Wrenches (# and size of wrenches based upon output type)
- Operating Instructions and Service Manual

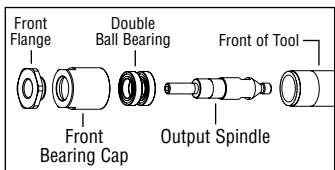
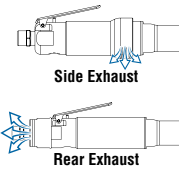
Quick Order Number							
This chart has been provided as a means to quickly identify a particular tool. The ordering numbers listed represent the most common versions of our tools. If more specialized versions are required, please build your model number per the following model number flow chart.							
Model Number	Extension Length	Output	Maximum Operating Speed	Throttle Handle Type			
				Standard Lever	Safety Lever		
400GEH	+15	3/8-24 CW	20000 RPM	400GEHS1+15	400GEHSK1+15		
		5/8-11CW		400GEHS2+15	400GEHSK2+15		
		Collet		400GEHSD+15;1/4	400GEHSDK+15;1/4		
	+28	3/8-24 CW		400GEHS1+28	400GEHSK1+28		
		5/8-11CW		400GEHS2+28	400GEHSK2+28		
		Collet		400GEHSD+28;1/4	400GEHSDK+28;1/4		
	+38	3/8-24 CW		400GEHS1+38	400GEHSK1+38		
		5/8-11CW		400GEHS2+38	400GEHSK2+38		
		Collet		400GEHSD+38;1/4	400GEHSDK+38;1/4		
	407GEH	+15		3/8-24 (Type 1)	15000 RPM	407GEHS4+15;401	407GEHSK4+15;401
		+28				407GEHS4+28;401	407GEHSK4+28;401
		+38				407GEHS4+38;401	407GEHSK4+38;401

The tools ordered under the numbers in this chart will be supplied with steel case material. Aluminum case material is available for these models. Please see the chart at the bottom of this page.



Example Model Number: **400GEH K S R D +38 ; 20000 ; 1/4**

Model Number	Lever Style	Case Material	Exhaust Direction	Output Options	Extension Length	Operating Speed	Collet Size*
400GEH	Please choose one of the following options: <b>No Designation</b> - Standard Lever <b>K</b> - Safety Lever	Please choose one of the following options: <b>No Designation</b> - Aluminum Case <b>S</b> - Steel Case	Please choose one of the following options: <b>No Designation</b> - Side Exhaust <b>R</b> - Rear Exhaust	Please choose one of the following options: <b>1</b> - 3/8-24 X 0.580 Cone Wheel Spindle <b>2</b> - 5/8-11 X 0.580 Cone Wheel Spindle <b>D</b> - Insert Style Collet	Please choose one of the following options: <b>+7</b> - 7 Inch Extension <b>+15</b> - 15 Inch Extension <b>+28</b> - 28 Inch Extension <b>+38</b> - 38 Inch Extension	Please choose one of the following options: <b>18000</b> - 18000 R.P.M. <b>20000</b> - 20000 R.P.M.	Please choose one of the following options: <b>1/8</b> - 1/8 Inch Collet <b>1/4</b> - 1/4 Inch Collet <b>3/8</b> - 3/8 Inch Collet <b>3MM</b> - 3mm Collet <b>6MM</b> - 6mm Collet <b>8MM</b> - 8mm Collet
407GEH			<b>No Designation</b> - Side Exhaust	<b>4</b> - 3/8-24 X 1.1 T1 Wheel Spindle		<b>Operating Speed/Guard Size</b> Please choose one of the following options: <b>15000;401</b> - 15000 R.P.M. with 4 Inch T1 Guard <b>18000;301</b> - 18000 R.P.M. with 3 Inch T1 Guard	



\*An entry from this column is only necessary when the D (Collet Output) option is chosen.

Governor Controlled Tool

**WARNING: Follow all recommendations from component and abrasive manufacturers for speeds and proper usage.**

EXTENDED GRINDERS