

Horizontal Sanders & Polishers

525 R.P.M. to 5500 R.P.M.
1.2 H.P. (900 W)



*The (X) is representative of gear train number (3, 5 or 8).
The outer appearance of the tool is the same regardless of the gear train number.

Air Inlet Size: 3/8" NPT (3/8" BSP Available)
Hose Size Recommendations: 1/2" (13 mm)
Extra Charge Accessories

- Safety Lever
- Standard Equipment**
- Tool • Wheel Flange
- Wheel Nut • Wrench
- Operating Instructions and Service Manual

Quick Order Number

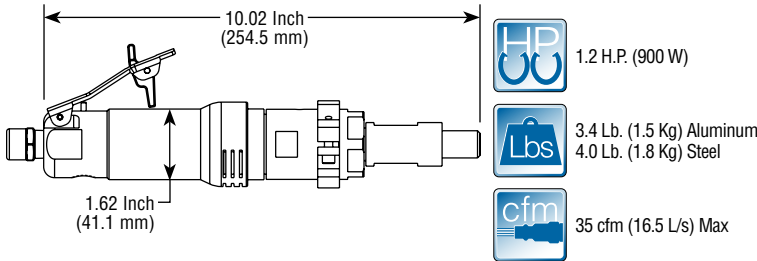
This chart has been provided as a means to quickly identify a particular tool. The ordering numbers listed represent the most common versions of our tools. If more specialized versions are required, please build your model number per the following model number flow chart.

Model Number	Rated Speed	Output Type	
		T5/8 - 5/8-11 Spindle	S1 - 1 or 5/8 Inch Adapter
400GT3M	5500 RPM	400GT3MT5/8	400GT3MS1
400GT5M	4000 RPM	400GT5MT5/8	400GT5MS1
400GT8M	2500 RPM	400GT8MT5/8	400GT8MS1
400GT21M	900 RPM	400GT21MT5/8	400GT21MS1
400GT36M	525 RPM	400GT36MT5/8	400GT36MS1

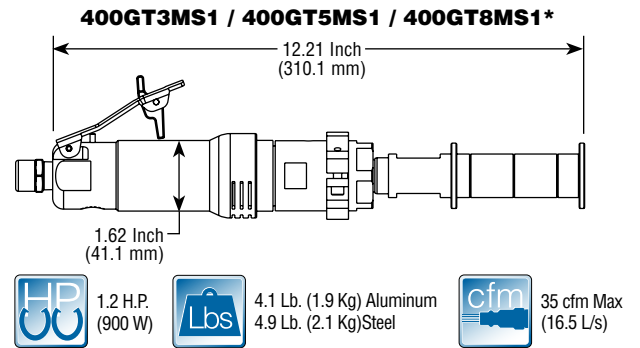
All the versions listed in the table will be supplied with a standard lever throttle (class 1).
A safety lever throttle (class 2) is also available.



400GT3MT5/8 / 400GT5MT5/8 / 400GT8MT5/8*



*Versions 400GT21M & 400GT36M add 0.51 Inch (13.0mm) to the overall length.
Rear exhaust adds 0.82 Inch (20.8mm) to overall length.

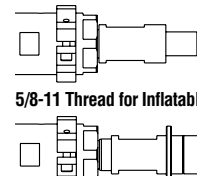
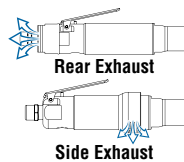


Example Model Number: **400GT3M K S R ; T5/8 ; 5500**

The blue highlighted entries are shown in the Quick Reference Box above.

Model Number	Lever Style	Case Material	Exhaust Direction	Output Type	Operating Speed
400GT3M					5500 - 5500 R.P.M.
400GT5M	Please choose one of the following options:	Please choose one of the following options:	Please choose one of the following options:	T5/8 - 5/8-11 Thread for Inflatable/Expanding Wheels	4000 - 4000 R.P.M.
400GT8M	No Designation - Standard Lever	No Designation - Aluminum Case	No Designation - Side Exhaust	S1 - 1 or 5/8 Inch Surface Conditioning Wheel Adapter	2500 - 2500 R.P.M.
400GT21M	K - Safety Lever	S - Steel Case	R - Rear Exhaust		900 - 900 R.P.M.
400GT36M					525 - 525 R.P.M.

Geared Tool



WARNING: Follow all recommendations from component and abrasive manufacturers for speeds and proper usage.