

Right Angle Sanders for use with Abrasive Discs

7" (180 mm) - 9" (230 mm)
2 H.P. (1500 W)



Air Inlet Size: 1/2" NPT
Hose Size Recommendations: 1/2" (13 mm)
Standard Equipment

- Tool • Operating Instructions and Service Manual
- 2 Wrenches (sizes based on options)

Quick Reference

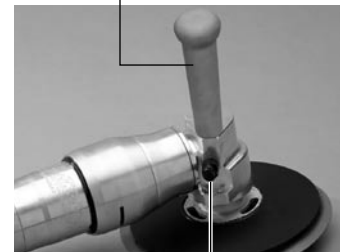
Quick Order Number

This chart has been provided as a means to quickly identify a particular tool. The ordering numbers listed represent the most common versions of our tools. If more specialized versions are required, please build your model number per the following model number flow chart.

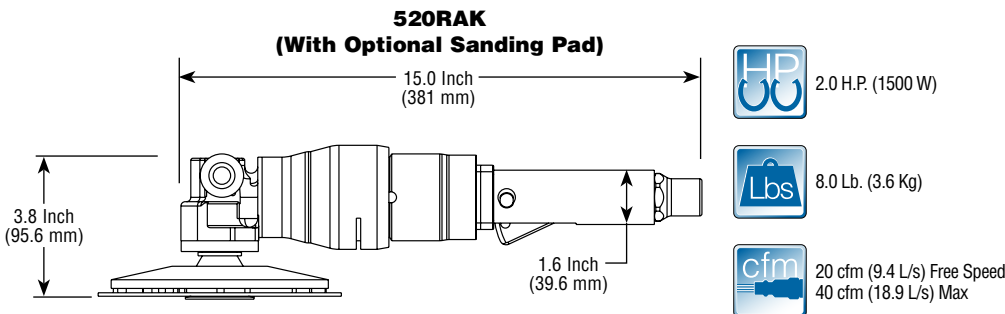
Model Number	Spindle Thread	Sanding Pad Size	Maximum Operating Speed	Throttle Type	
				Standard Throttle	Safety Throttle
520RA	5/8-11 X 0.9 Inch	7 Inch	8000 RPM	520RAXL;7SP	520RAXK;7SP

The tools listed in this chart will be provided with an aluminum housing. Steel housing material is available. See information below for the entire spectrum of options available.

Back Mountable Dead Handle



Spindle Lock



Example Model Number: **520RA 2 XLTKW ; 8000;7SP**

Model Number	Spindle Options	Lever Style	Operating Speed/Sanding Pad Size
520RA	1 - 5/8-11 0.9 Inch 2 - 5/8-11 1.1 Inch	Please choose one of the following options: K - Safety Lever XL - Standard Lever XK - Safety Lever XB - Thumb Switch XLTK - Turned/Knurled Standard Lever XKTK - Turned/Knurled Safety Lever XBTK - Turned/Knurled Thumb Switch XLTKW - Turned/Knurled/Cushioned Standard Lever XKTKW - Turned/Knurled/Cushioned Safety Lever XBTKW - Turned/Knurled/Cushioned Thumb Switch	6000;7SP - 6000 R.P.M. with 7 Inch Sanding Pad 6000;9SP - 6000 R.P.M. with 9 Inch Sanding Pad 8000;7SP - 8000 R.P.M. with 7 Inch Sanding Pad

Governor Controlled Tool Geared Tool

WARNING: Follow all recommendations from component and abrasive manufacturers for speeds and proper usage.

RIGHT ANGLE SANDERS, BUFFERS & POLISHERS