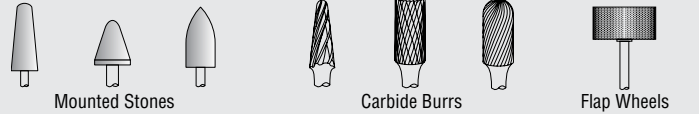


Right Angle Collet Grinders

0.4 H.P. – 1.2 H.P. (300 – 900 W)



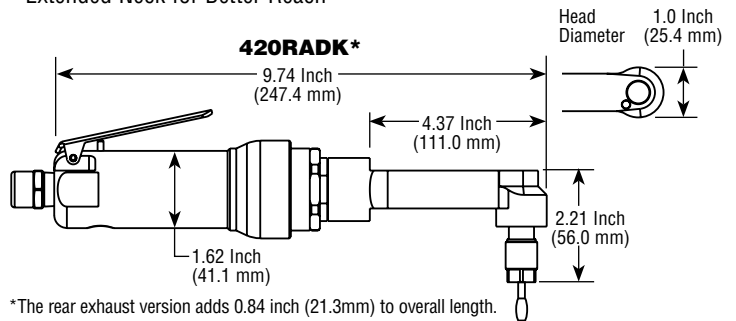
Air Inlet Size:
270RAD/320RAD Series: 1/4" NPT
420RAD Series: 3/8" NPT
Hose Size Recommendations:
270RAD/320RAD Series: 3/8" NPT (10 mm)
420RAD Series: 1/2" NPT (13 mm)
Extra Charge Accessories

- Safety Lever
- Standard Equipment**
- Tool with Wrench • Operating Instructions and Service Manual
- Special Features**
- Small Right Angle Head for Limited Space Grinding
- Extended Neck for Better Reach

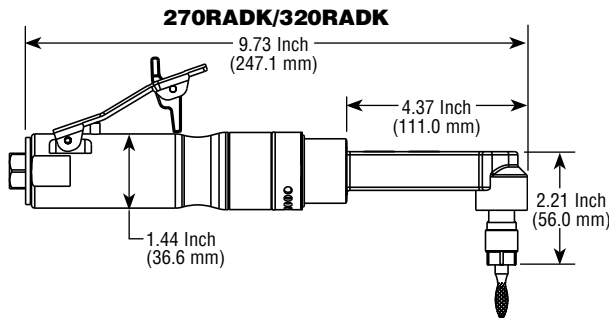
Quick Order Number				
Model Number	Collet Size	Maximum Operating Speed	Case Material	
			Aluminum	Steel
270RAD	1/4 Inch	26000 RPM	270RAD;1/4	270RADS;1/4
320RAD		20000 RPM	320RAD;1/4	320RADS;1/4
420RAD		13000 RPM	420RAD;1/4	420RADS;1/4

All the versions listed in the table will be supplied with a standard lever throttle (class 1). A safety lever throttle (class 2) is also available.

This chart has been provided as a means to quickly identify a particular tool. The ordering numbers listed represent the most common versions of our tools. If more specialized versions are required, please build your model number per the following model number flow chart.



- HP** 1.2 H.P. (900 W)
- Lbs** 2.5 Lb. (1.1 Kg) Aluminum, 3.0 Lb. (1.4 Kg) Steel
- cfm** 35 cfm (16.5 L/s) Max



- HP** 270RAD - 0.4 H.P. (300 W), 320RAD - 0.7 H.P. (525 W)
- Lbs** Aluminum: 270RAD - 2.0 Lbs. (0.9 Kg), 320RAD - 2.1 Lbs. (1.0 Kg); Steel: 270RAD - 2.5 Lbs. (1.1 Kg), 320RAD - 2.6 Lbs. (1.2 Kg)
- cfm** 270RAD - 18 cfm (8.5 L/s), 320RAD - 25 cfm (11.8 L/s)

Example Model Number: **270RAD K S R ; 26000 ; 1/4**

The blue highlighted entries are shown in the Quick Reference Box above.

Model Number	Lever Style	Case Material	Exhaust Direction	Operating Speed	Collet Size
270RAD	Please choose one of the following options: No Designation - Standard Lever K - Safety Lever	Please choose one of the following options: No Designation - Aluminum Case S - Steel Case	Please choose one of the following options: No Designation - Side Exhaust R - Rear Exhaust	26000 - 26000 R.P.M.	Please choose one of the following options: 1/8 - 1/8 Inch Collet 1/4 - 1/4 Inch Collet 3MM - 3mm Collet 6MM - 6mm Collet
320RAD				20000 - 20000 R.P.M.	
420RAD				13000 - 13000 R.P.M.	
Geared Tool					

WARNING: Follow all recommendations from component and abrasive manufacturers for speeds and proper usage.