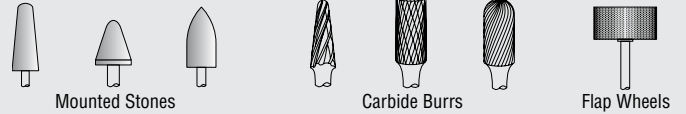


**Right Angle Collet Grinders**

0.4 H.P. – 0.7 H.P. (300 – 525 W)



**Air Inlet Size: 1/4" NPT**  
**Hose Size Recommendations: 3/8" (10 mm)**  
**Extra Charge Accessories**

- Safety Lever
- Standard Equipment**
- Tool • Operating Instructions and Service Manual
- 2 Wrenches (sizes based on options)

Quick Order Number				
Model Number	Collet Size	Maximum Operating Speed	Case Material	
			Aluminum	Steel
250RAED	1/4 Inch	20000 RPM	250RAED;1/4	250RAEDS;1/4
300RAED		15000 RPM	300RAED;1/4	300RAEDS;1/4

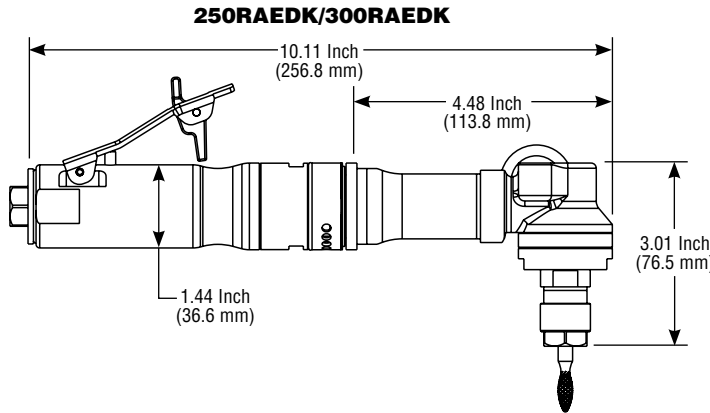
All the versions listed in the table will be supplied with a standard lever throttle (class 1). A safety lever throttle (class 2) is also available.

This chart has been provided as a means to quickly identify a particular tool. The ordering numbers listed represent the most common versions of our tools. If more specialized versions are required, please build your model number per the following model number flow chart.



Front view of 250RAED/300RAED Series Tools

RIGHT ANGLE GRINDERS



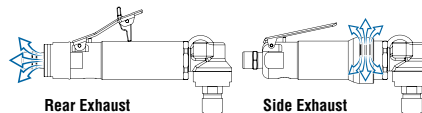
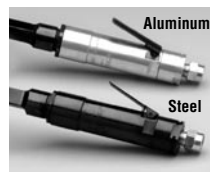
- HP** 250RAED - 0.4 H.P. (300 W)  
300RAED - 0.7 H.P. (525 W)
- Lbs** Aluminum: 250RAED - 2.9 Lbs. (1.3 Kg)  
300RAED - 3.1 Lbs. (1.4 Kg)  
Steel: 250RAED - 3.4 Lbs. (1.5 Kg)  
300RAED - 3.5 Lbs. (1.6 Kg)
- cfm** 250RAED - 18 cfm (8.5 L/s)  
300RAED - 25 cfm (11.8 L/s)

Example Model Number: **250RAED K S R ; 20000 ; 1/4**

The blue highlighted entries are shown in the Quick Reference Box above.

Model Number	Lever Style	Case Material	Exhaust Direction	Operating Speed	Collet Size
250RAED	Please choose one of the following options: <b>No Designation</b> - Standard Lever <b>K</b> - Safety Lever	Please choose one of the following options: <b>No Designation</b> - Aluminum Case <b>S</b> - Steel Case	Please choose one of the following options: <b>No Designation</b> - Side Exhaust <b>R</b> - Rear Exhaust	20000 - 20000 R.P.M.	Please choose one of the following options: <b>1/8</b> - 1/8 Inch Collet <b>1/4</b> - 1/4 Inch Collet <b>3/8</b> - 3/8 Inch Collet <b>3MM</b> - 3mm Collet <b>6MM</b> - 6mm Collet <b>8MM</b> - 8mm Collet
300RAED				15000 - 15000 R.P.M.	

Geared Tool



**WARNING: Follow all recommendations from component and abrasive manufacturers for speeds and proper usage.**