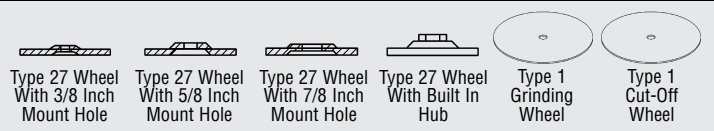


Right Angle Grinders for use with Depressed Center & Type 1 Grinding/Cut-off Wheels 3" (75 mm) – 6" (150 mm)
1.2 H.P. (900 W)



Powerful 1.2 H.P. Motor



Air Inlet Size: 3/8" NPT
Hose Size Recommendations: 1/2" (13 mm)
Special Features

- Side or Rear Exhaust Available
- Extended Neck or Standard Length Available
- 1.2 H.P. Motor • Dual Position Dead Handle Mount

Extra Charge Accessories

- Type 27 Adapters • Safety Levers

Standard Equipment

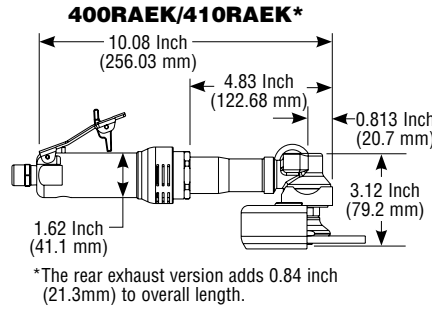
- Tool • Operating Instructions and Service Manual
- 2 Wrenches (sizes based on options)

The depressed center wheel adapters are not supplied as standard equipment with the tools. If you are using a wheel that requires the adapters, they must be purchased separately.

Quick Order Number				
Model Number	Guard Size	Maximum Operating Speed	Case Material	
			Aluminum	Steel
400RAE	4 Inch	10000 RPM	400RAE4;427	400RAE4S;427
	4-1/2 Inch		400RAE2;4527	400RAE2S;4527
	6 Inch		400RAE4;641	400RAE4S;641
410RAE	4 Inch	13000 RPM	410RAE4;427	410RAE4S;427
	4-1/2 Inch		410RAE2;4527	410RAE2S;4527

All the versions listed in the table will be supplied with a standard lever throttle (class 1). A safety lever throttle (class 2) is also available.

This chart has been provided as a means to quickly identify a particular tool. The ordering numbers listed represent the most common versions of our tools. If more specialized versions are required, please build your model number per the following model number flow chart.



- 1.2 H.P. (900 W)
- 2.7 Lb. (1.2 Kg) Aluminum
3.2 Lb. (1.4 Kg) Steel
- 35 cfm (16.5 L/s) Max

RIGHT ANGLE GRINDERS

Wheel Adapters			
Part Number	Description	Spindle on Tool	Wheel
490-K	3/8-24 to 3/8 Inch ID Adapter	Style 4 - 3/8-24 X 0.98 Inch	3-4 Inch T27 Wheels with 3/8 Inch ID Hole
490-KR		Style 1 - 3/8-24 X 0.56 Inch	
1100-660	3/8-24 to 5/8 Inch ID Adapter	Style 4 - 3/8-24 X 0.98 Inch	4 Inch T27 Wheels with 5/8 Inch ID Hole
ADT27-354			
1100-668	3/8-24 to 7/8 Inch ID Adapter	Style 2 - 5/8-11 X 0.88 Inch	4 1/2 Inch T27 Wheels with 7/8 Inch ID Hole
ADT27-375			
1100-692	3/8-24 to 7/8 Inch ID Adapter	Style 2 - 5/8-11 X 0.88 Inch	4 1/2 Inch T27 Wheels with 7/8 Inch ID Hole
ADT27-575			

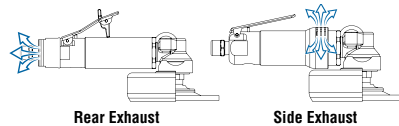
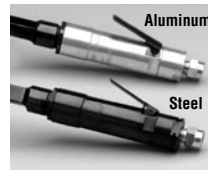
Spindle	Wheel Size			
	3"	4"	4 1/2"	5"
(1) - 3/8-24 X 0.563	X	X		
(4) - 3/8-24 X 0.980	X	X	X	X
(2) - 5/8-11 X 0.875			X	X

The depressed center wheel adapters are not supplied as standard equipment with the tools. If you are using a wheel that requires the adapters, they must be purchased separately.

Example Model Number: **400RAE 4 K S R ; 10000;427**

Model Number	Spindle Options	Lever Style	Case Material	Exhaust Direction	Operating Speed/Guard Size
400RAE	Please choose one of the following options: 1 - 3/8-24 X 0.56 Inch 2 - 5/8-11 X 0.88 Inch 4 - 3/8-24 X 0.98 Inch	Please choose one of the following options: No Designation - Standard Lever K - Safety Lever	Please choose one of the following options: No Designation - Aluminum Case S - Steel Case	Please choose one of the following options: No Designation - Side Exhaust R - Rear Exhaust	Please choose one of the following options: 10000;327 - 10000 R.P.M. with 3 Inch T27 Wheel Guard 10000;427 - 10000 R.P.M. with 4 Inch T27 Wheel Guard 10000;4527 - 10000 R.P.M. with 4 1/2 Inch T27 Wheel Guard 10000;641 - 10000 R.P.M. with 6 Inch T27 Wheel Guard Please choose one of the following options: 13000;327 - 13000 R.P.M. with 3 Inch T27 Wheel Guard 13000;427 - 13000 R.P.M. with 4 Inch T27 Wheel Guard 13000;4527 - 13000 R.P.M. with 4 1/2 Inch T27 Wheel Guard

Geared Tool



WARNING: Follow all recommendations from component and abrasive manufacturers for speeds and proper usage.