

Right Angle Grinders for use with Depressed Center & Type 1 Grinding/Cut-off Wheels 3" (75 mm) – 4" (100 mm) 0.7 H.P. – 1.2 H.P. (900 W)



Type 27 Wheel
With 3/8 Inch
Mount Hole

Type 27 Wheel
With 5/8 Inch
Mount Hole

Type 1
Grinding
Wheel

Type 1
Cut-Off
Wheel

Air Inlet Size:
320RA Series: 1/4" NPT
420RA Series: 3/8" NPT
Hose Size Recommendations:
320RA Series: 3/8" (13mm)
420RA Series: 1/2" (13mm)
Extra Charge Accessories

• Type 27 Adapters • Safety Levers

Standard Equipment

• Tool with Wrench • Operating Instructions and Service Manual

SPECIAL FEATURES

- Side or Rear Exhaust Available
- Small Right Angle Head for Limited Space Grinding
- Extended Neck for Better Reach

The depressed center wheel adapters are not supplied as standard equipment with the tools. If you are using a wheel that requires the adapters, they must be purchased separately.

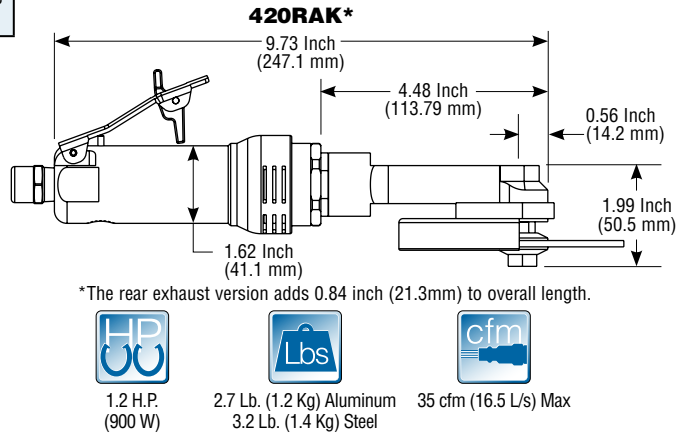
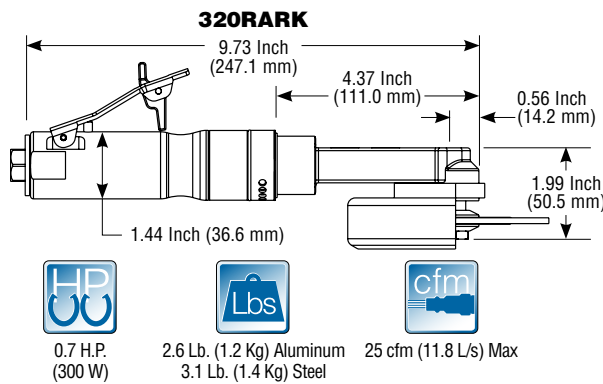
Quick Order Number

Model Number	Guard Size	Maximum Operating Speed	Case Material	
			Aluminum	Steel
320RA	4 Inch	15000 RPM	320RA1;427	320RA1S;427
420RA		13000 RPM	420RA1;427	420RA1S;427

All the versions listed in the table will be supplied with a standard lever throttle (class 1). A safety lever throttle (class 2) is also available.

This chart has been provided as a means to quickly identify a particular tool. The ordering numbers listed represent the most common versions of our tools. If more specialized versions are required, please build your model number per the following model number flow chart.

RIGHT ANGLE GRINDERS



*The rear exhaust version adds 0.84 inch (21.3mm) to overall length.

Wheel Adapters

Part Number	Description	Spindle on Tool	Wheel
490-K	3/8-24 to 3/8 Inch ID Adapter	Style 4 - 3/8-24 X 0.98 Inch	3-4 Inch T27 Wheels with 3/8 Inch ID Hole
490-KR		Style 1 - 3/8-24 X 0.56 Inch	
1100-660	3/8-24 to 5/8 Inch ID Adapter	Style 4 - 3/8-24 X 0.98 Inch	4 Inch T27 Wheels with 5/8 Inch ID Hole
ADT27-354		Style 1 - 3/8-24 X 0.56 Inch	

The depressed center wheel adapters are not supplied as standard equipment with the tools. If you are using a wheel that requires the adapters, they must be purchased separately.

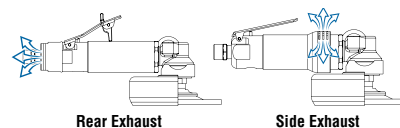


Front view of 320RA/420RA Series Tool

Example Model Number: **420RA 1 K S R ; 13000;427**

Model Number	Spindle Options	The blue highlighted entries are shown in the Quick Reference Box above. Lever Style	Case Material	Exhaust Direction	Operating Speed/Guard Size
320RA	Please choose one of the following options: 1 - 3/8-24 X 0.56 Inch	Please choose one of the following options: No Designation - Standard Lever K - Safety Lever	Please choose one of the following options: No Designation - Aluminum Case S - Steel Case	Please choose one of the following options: No Designation - Side Exhaust R - Rear Exhaust	Please choose one of the following options: 15000;327 - 15000 R.P.M. with 3 Inch T27 Wheel Guard 15000;427 - 15000 R.P.M. with 4 Inch T27 Wheel Guard
420RA	4 - 3/8-24 X 0.98 Inch				Please choose one of the following options: 13000;327 - 13000 R.P.M. with 3 Inch T27 Wheel Guard 13000;427 - 13000 R.P.M. with 4 Inch T27 Wheel Guard

Geared Tool



WARNING: Follow all recommendations from component and abrasive manufacturers for speeds and proper usage.