

**Right Angle Grinders for use with Depressed Center & Type 1 Grinding/Cut-off Wheels**

4" (101.6 mm)  
0.7 H.P. (525 W)



Type 27 Wheel  
With 3/8 Inch  
Mount Hole

Type 27 Wheel  
With 5/8 Inch  
Mount Hole

Type 1  
Grinding  
Wheel

Type 1  
Cut-Off  
Wheel

**Air Inlet Size: 1/4" NPT**

**Hose Size Recommendations: 3/8" (10 mm)**

**Special Features**

- Rear Exhaust
- 0.7 H.P. Motor • Dual Position Dead Handle Mount

**Extra Charge Accessories**

- Type 27 Adapters • Safety Levers

**Standard Equipment**

- Tool • Operating Instructions and Service Manual
- 2 Wrenches (sizes based on options)

The depressed center wheel adapters are not supplied as standard equipment with the tools. If you are using a wheel that requires the adapters, they must be purchased separately.

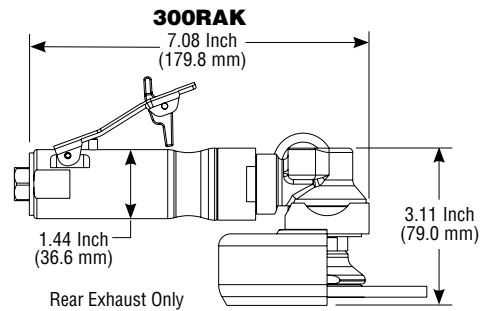
RIGHT ANGLE GRINDERS

**Quick Order Number**

Model Number	Guard Size	Maximum Operating Speed	Case Material	
			Aluminum	Steel
300RA	4 Inch	15000 RPM	300RA4;427	300RA4S;427

All the versions listed in the table will be supplied with a standard lever throttle (class 1). A safety lever throttle (class 2) is also available.

This chart has been provided as a means to quickly identify a particular tool. The ordering numbers listed represent the most common versions of our tools. If more specialized versions are required, please build your model number per the following model number flow chart.



0.7 H.P.  
(525 W)



2.4 Lb. (1.1 Kg) Aluminum  
3.0 Lb. (1.4 Kg) Steel

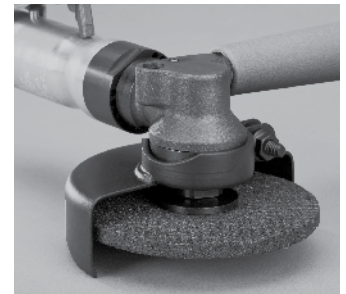


25 cfm (11.8 L/s) Max

**Wheel Adapters**

Part Number	Description	Spindle on Tool	Wheel
490-K	3/8-24 to 3/8 Inch ID Adapter	Style 4 - 3/8-24 X 0.98 Inch	3-4 Inch T27 Wheels with 3/8 Inch ID Hole
490-KR		Style 1 - 3/8-24 X 0.56 Inch	
1100-660	3/8-24 to 5/8 Inch ID Adapter	Style 4 - 3/8-24 X 0.98 Inch	4 Inch T27 Wheels with 5/8 Inch ID Hole
ADT27-354			

The depressed center wheel adapters are not supplied as standard equipment with the tools. If you are using a wheel that requires the adapters, they must be purchased separately.



Front view of 300RA Series Tool

Example Model Number: **300RA 1 K S ; 15000;427**

The blue highlighted entries are shown in the Quick Reference Box above.

Model Number	Spindle Options	Lever Style	Case Material	Operating Speed/Guard Size
300RA	Please choose one of the following options: <b>1</b> - 3/8-24 X 0.56 Inch <b>4</b> - 3/8-24 X 0.98 Inch	Please choose one of the following options: <b>No Designation</b> - Standard Lever <b>K</b> - Safety Lever	Please choose one of the following options: <b>No Designation</b> - Aluminum Case <b>S</b> - Steel Case	Please choose one of the following options: <b>15000;327</b> - 15000 R.P.M. with 3 Inch T27 Wheel Guard <b>15000;427</b> - 15000 R.P.M. with 4 Inch T27 Wheel Guard

Gearred Tool



**WARNING: Follow all recommendations from component and abrasive manufacturers for speeds and proper usage.**