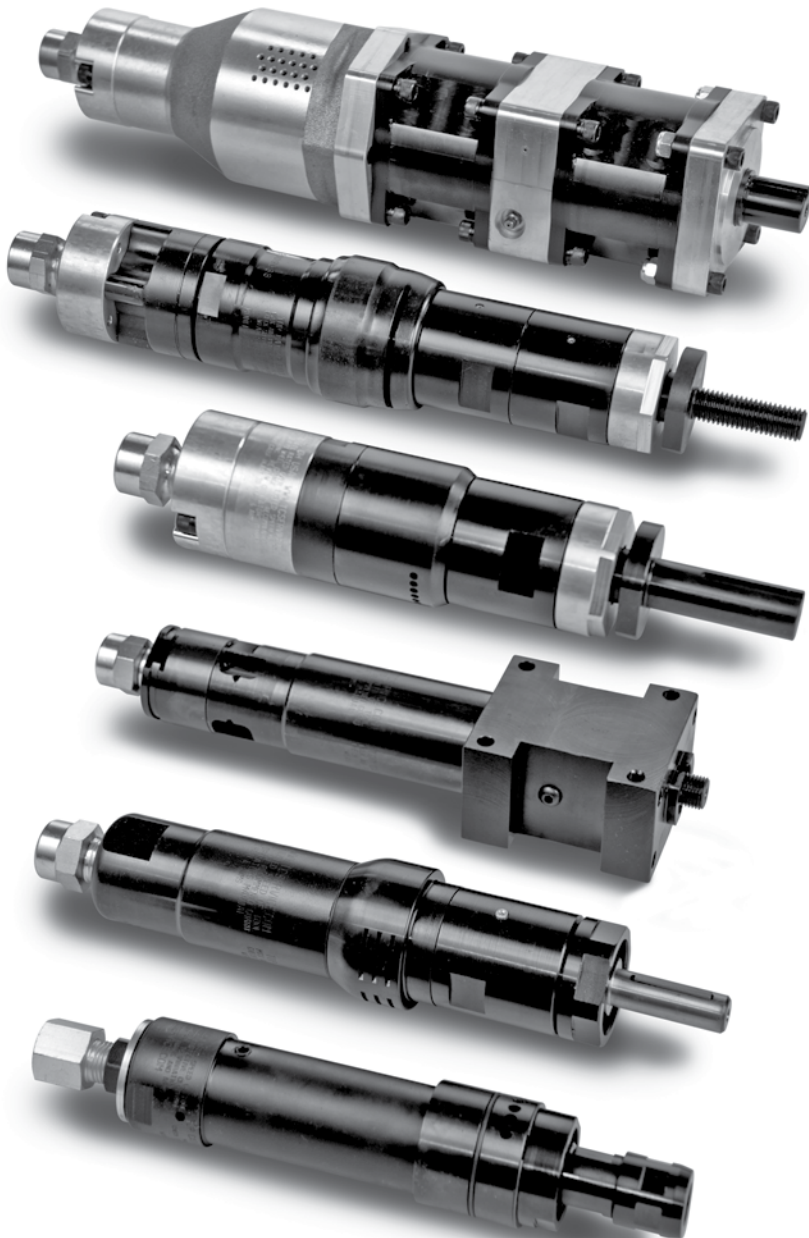


Motors

Top Cat Air Motors



79

300 SERIES MOTORS

- 0.7 H.P.
- 150-30000 Speed Range



80

400 SERIES MOTORS

- 1.2 H.P.
- 120-20000 Speed Range



81

500 & 520 SERIES MOTORS

- 1.5 and 2.0 H.P.
- 125-4000 Speed Range



82

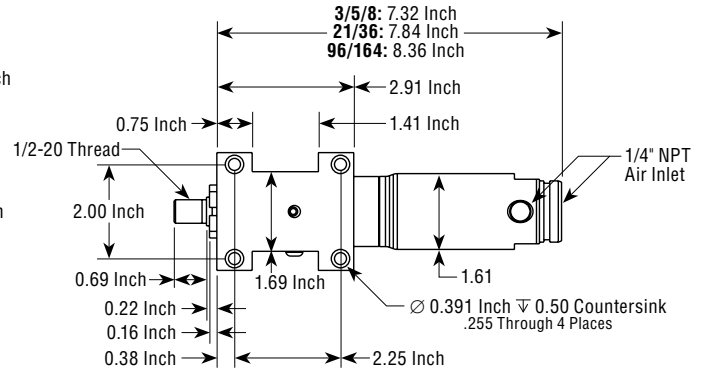
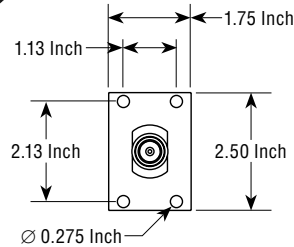
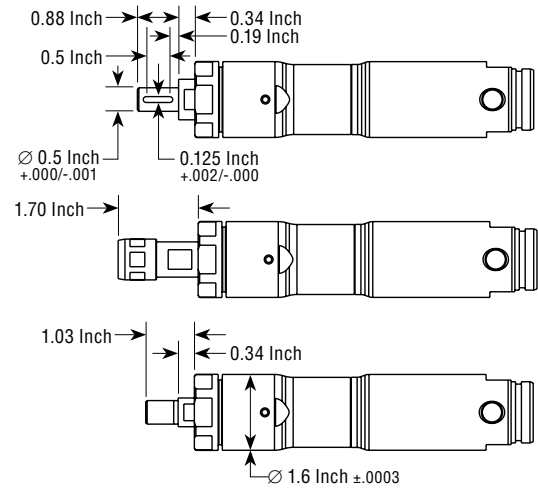
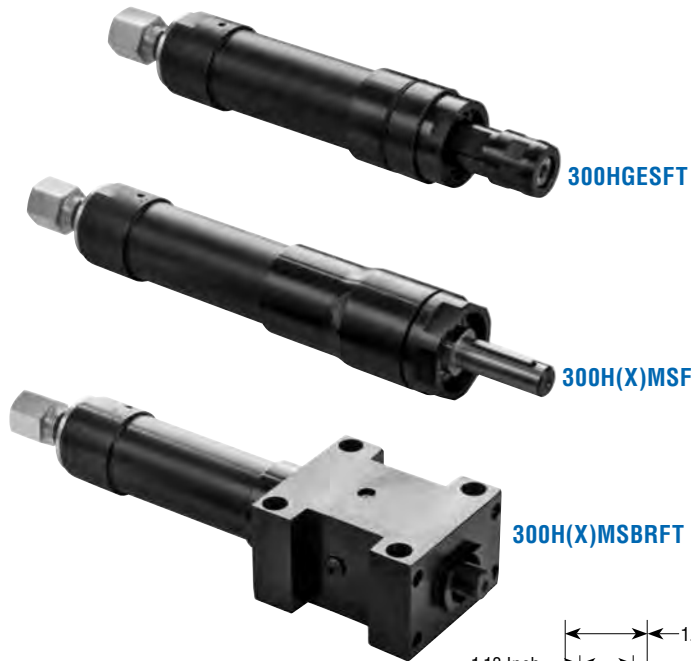
664 SERIES MOTORS

- 4.0 H.P.
- 85-850 Speed Range

MOTORS

Motors

0.7 H.P. Motors



Output	Gear Ratio	RPM		Stall Torque		Weight	Round Housing	Flange and Base Mounting
		at Max H.P.	Free Speed	ft. lbs.	Nm		MODEL NUMBER	MODEL NUMBER
1/2 Inch Keyed	3:1	4125	8250	2.6	3.5	2.50 Lbs. (1.13 Kg)	300H3MSFT;8250;K500	300H3MSBRFT;8250;K500
	5:1	3000	6000	3.5	4.8		300H5MSFT;6000;K500	300H5MSBRFT;6000;K500
	8:1	1875	3750	5.8	7.9		300H8MSFT;3750;K500	300H8MSBRFT;3750;K500
	21:1	650	1300	16.0	21.8	5.00 Lbs. (2.27 Kg)	300H21MSFT;1300;K500	300H21MSBRFT;1300;K500
	36:1	400	800	26.7	36.3		300H36MSFT;800;K500	300H36MSBRFT;800;K500
	98:1	150	300	73.7	99.8		300H98MSFT;300;K500	300H98MSBRFT;300;K500
1/2 X 20 Threaded	164:1	75	150	123.2	167.0	7.50 Lbs. (3.39 Kg)	300H164MSFT;150;K500	300H164MSBRFT;150;K500
	3:1	4125	8250	2.6	3.5	2.46 Lbs. (1.11 Kg)	300H3MSFT;8250;T520	300H3MSBRFT;8250;T520
	5:1	3000	6000	3.5	4.8		300H5MSFT;6000;T520	300H5MSBRFT;6000;T520
	8:1	1875	3750	5.8	7.9		300H8MSFT;3750;T520	300H8MSBRFT;3750;T520
	21:1	650	1300	16.0	21.8	4.76 Lbs. (2.16 Kg)	300H21MSFT;1300;T520	300H21MSBRFT;1300;T520
	36:1	400	800	26.7	36.3		300H36MSFT;800;T520	300H36MSBRFT;800;T520
98:1	150	300	73.7	99.8	300H98MSFT;300;T520		300H98MSBRFT;300;T520	
Collet	164:1	75	150	123.2	167.0	6.69 Lbs. (3.03 Kg)	300H164MSFT;150;T520	300H164MSBRFT;150;T520
	1:1	15000	30000	0.8	1.1	1.80 Lbs. (0.82 Kg)	300HGESFT;30000;1/4	
	1:1	12500	25000	0.8	1.1		300HGESFT;25000;1/4	
	1:1	9000	18000	0.8	1.1	2.55 Lbs. (1.16 Kg)	307HGESFT;18000;1/4	
	3:1	4125	8250	2.6	3.5	2.57 Lbs. (1.16 Kg)	300HGE3MSFT;8250;1/4	300HGE3MSBRFT;8250;1/4
	5:1	3000	6000	3.5	4.8		300HGE5MSFT;6000;1/4	300HGE5MSBRFT;6000;1/4
	8:1	1875	3750	5.8	7.9		300HGE8MSFT;3750;1/4	300HGE8MSBRFT;3750;1/4
	21:1	650	1300	16.0	21.8	4.87 Lbs. (2.21 Kg)	300HGE21MSFT;1300;1/4	300HGE21MSBRFT;1300;1/4
	36:1	400	800	26.7	36.3		300HGE36MSFT;800;1/4	300HGE36MSBRFT;800;1/4
	98:1	150	300	73.7	99.8		300HGE98MSFT;300;1/4	300HGE98MSBRFT;300;1/4
164:1	75	150	123.2	167.0	7.17 Lbs. (3.24 Kg)	300HGE164MSFT;150;1/4	300HGE164MSBRFT;150;1/4	

Note: The Flange & Base Mounting option adds 1.22 Lbs. (0.55 Kg) to weight

Motors

1.2 H.P. Motors



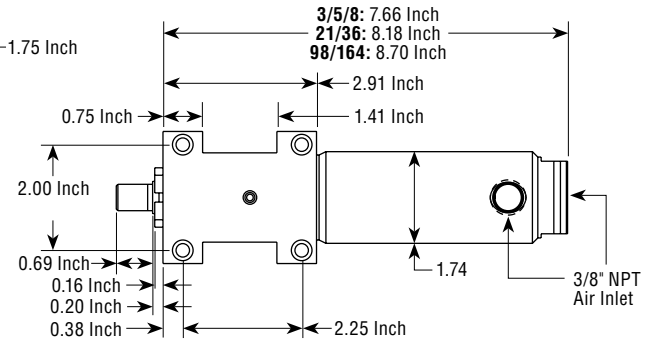
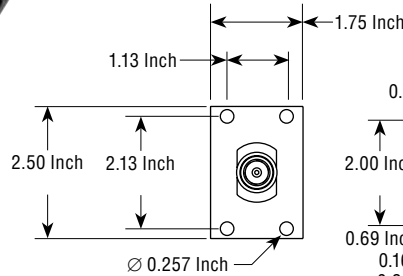
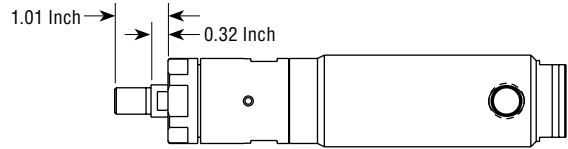
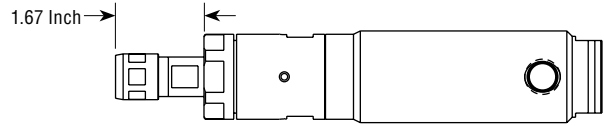
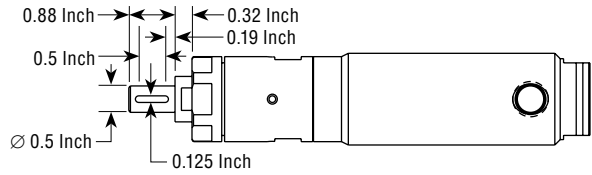
400HGESFT



400H(X)MSFT



400H(X)MSBRFT



Output	Gear Ratio	RPM		Stall Torque		Weight	Round Housing	Flange and Base Mounting
		at Max H.P.	Free Speed	ft. lbs.	Nm		MODEL NUMBER	MODEL NUMBER
1/2 Inch Keyed	3:1	2250	5500	4.6	6.3	3.23 Lbs. (1.46 Kg)	400H3MSFT;5500;K500	400H3MSBRFT;5500;K500
	5:1	2000	4000	6.2	8.4		400H5MSFT;4000;K500	400H5MSBRFT;4000;K500
	8:1	1250	2500	10.3	14.0		400H8MSFT;2500;K500	400H8MSBRFT;2500;K500
	21:1	450	900	28.4	38.6	5.53 Lbs. (2.51 Kg)	400H21MSFT;900;K500	400H21MSBRFT;900;K500
	36:1	275	550	47.5	64.6		400H36MSFT;550;K500	400H36MSBRFT;550;K500
	98:1	100	200	131.1	177.7		400H98MSFT;200;K500	400H98MSBRFT;200;K500
	164:1	60	120	219.1	297.1		400H164MSFT;120;K500	400H164MSBRFT;120;K500
1/2 X 20 Threaded	3:1	2250	5500	4.6	6.3	3.12 Lbs. (1.41 Kg)	400H3MSFT;5500;T520	400H3MSBRFT;5500;T520
	5:1	2000	4000	6.2	8.4		400H5MSFT;4000;T520	400H5MSBRFT;4000;T520
	8:1	1250	2500	10.3	14.0		400H8MSFT;2500;T520	400H8MSBRFT;2500;T520
	21:1	450	900	28.4	38.6	5.37 Lbs. (2.43 Kg)	400H21MSFT;900;T520	400H21MSBRFT;900;T520
	36:1	275	550	47.5	64.6		400H36MSFT;550;T520	400H36MSBRFT;550;T520
	98:1	100	200	131.1	177.7		400H98MSFT;200;T520	400H98MSBRFT;200;T520
	164:1	60	120	219.1	297.1		400H164MSFT;120;T520	400H164MSBRFT;120;T520
Collet	1:1	10000	20000	1.3	1.8	2.53 Lbs. (1.15 Kg)	400HGESFT;20000;1/4	
	1:1	9000	18000	1.3	1.8		400HGESFT;18000;1/4	
	1:1	7500	15000	1.3	1.8	2.67 Lbs. (1.21 Kg)	407HGESFT;15000;1/4	
	1:1	6000	12000	1.3	1.8		407HGESFT;12000;1/4	
	3:1	2250	5500	4.6	6.3	3.30 Lbs. (1.49 Kg)	400HGE3MSFT;5500;1/4	400HGE3MSBRFT;5500;1/4
	5:1	2000	4000	6.2	8.4		400HGE5MSFT;4000;1/4	400HGE5MSBRFT;4000;1/4
	8:1	1250	2500	10.3	14.0		400HGE8MSFT;2500;1/4	400HGE8MSBRFT;2500;1/4
	21:1	450	900	28.4	38.6	5.55 Lbs. (2.51 Kg)	400HGE21MSFT;900;1/4	400HGE21MSBRFT;900;1/4
	36:1	275	550	47.5	64.6		400HGE36MSFT;550;1/4	400HGE36MSBRFT;550;1/4
	98:1	100	200	131.1	177.7		400HGE98MSFT;200;1/4	400HGE98MSBRFT;200;1/4
	164:1	60	120	219.1	297.1		400HGE164MSFT;120;1/4	400HGE164MSBRFT;120;1/4

Note: The Flange & Base Mounting option adds 1.22 Lbs. (0.55 Kg) to weight

Motors

500 Series Motors



500H1MFT;K750

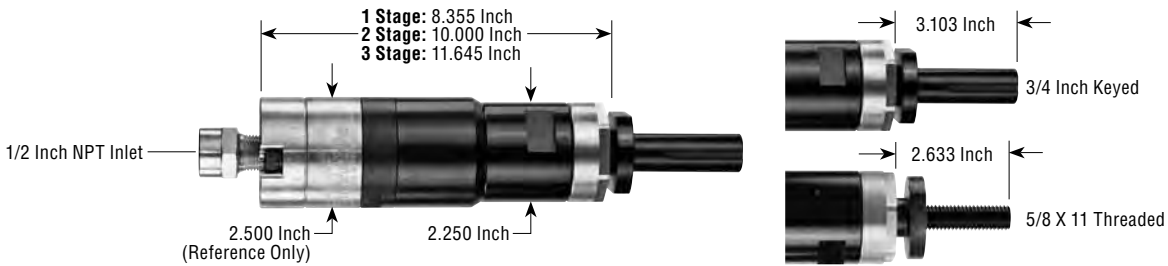


500H1MFT;T625



500H2MFT;T625

Output	Gear Ratio	RPM		Stall Torque		Weight	MODEL NUMBER
		at Max H.P.	Free Speed	ft. lbs.	Nm		
3/4 Inch Keyed	4:1	2000	4000	7.3	9.9	6.58 Lbs. (2.98 Kg)	500H1MFT;4000;K750
	16:1	500	1000	29.3	39.8	8.18 Lbs. (3.71 Kg)	500H2MFT;1000;K750
	64:1	125	250	117.3	159.9	9.78 Lbs. (4.43 Kg)	500H3MFT;250;K750
5/8 X 11 Threaded	4:1	2000	4000	7.3	9.9	6.15 Lbs. (2.79 Kg)	500H1MFT;4000;T625
	18:1	500	1000	29.3	39.8	7.75 Lbs. (3.51 Kg)	500H2MFT;1000;T625
	64:1	125	250	117.3	159.9	9.35 Lbs. (4.24 Kg)	500H3MFT;250;T625



520 Series Motors

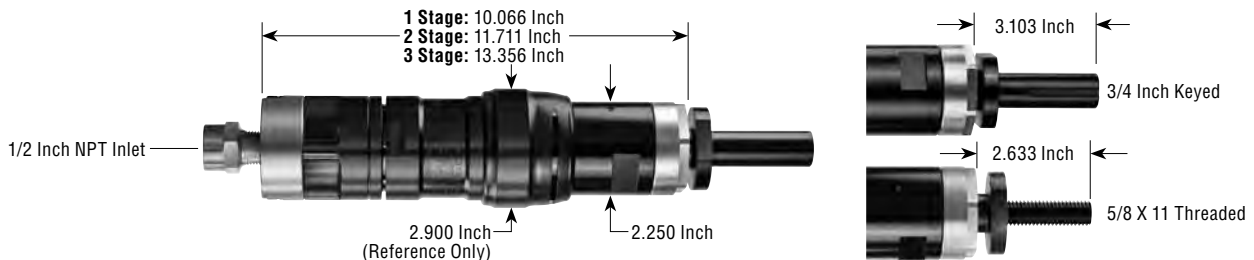


520H1MFT ;K750



520H2MFT;T625

Output	Gear Ratio	RPM		Stall Torque		Weight	MODEL NUMBER
		at Max H.P.	Free Speed	ft. lbs.	Nm		
3/4 Inch Keyed	4:1	1500	3000	14.7	20.0	8.47 Lbs. (3.84 Kg)	520H1MFT;3000;K750
	16:1	375	750	58.7	79.8	10.07 Lbs. (4.56 Kg)	520H2MFT;750;K750
	64:1	90	180	234.7	319.2	11.67 Lbs. (5.29 Kg)	500H3MFT;180;K750
5/8 X 11 Threaded	4:1	1500	3000	14.7	20.0	8.04 Lbs. (3.64 Kg)	520H1MFT;3000;T625
	16:1	375	750	58.7	79.8	9.64 Lbs. (4.37 Kg)	520H2MFT;750;T625
	64:1	90	180	234.7	319.2	11.24 Lbs. (5.09 Kg)	500H3MFT;180;T625



Motors

664 Series Motors

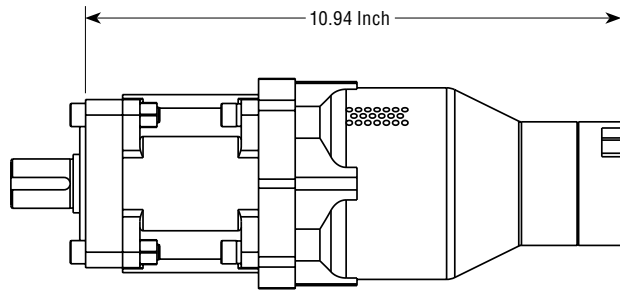


664H1MFT

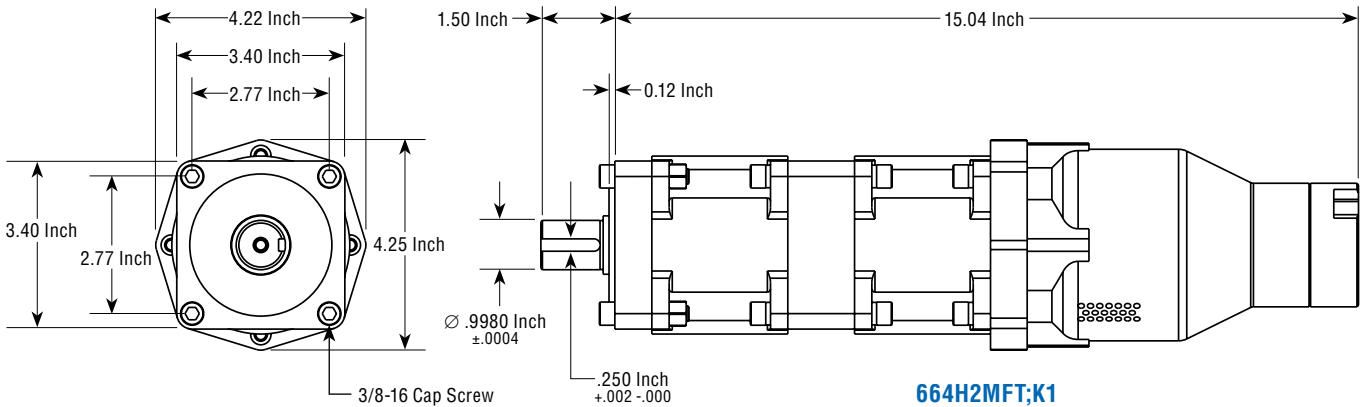


664H2MFT;T625

Output	Gear Ratio	RPM		Stall Torque		Weight	MODEL NUMBER
		at Max H.P.	Free Speed	ft. lbs.	Nm		
3/4 Inch Keyed	10:1	425	850	73.2	99.2	15.08 Lbs. (6.83 Kg)	664H1MFT;850;K1
	100:1	42	85	720.3	976.6	22.89 Lbs. (10.37 Kg)	664H2MFT;85;K1



664H1MFT



664H2MFT;K1

MOTORS