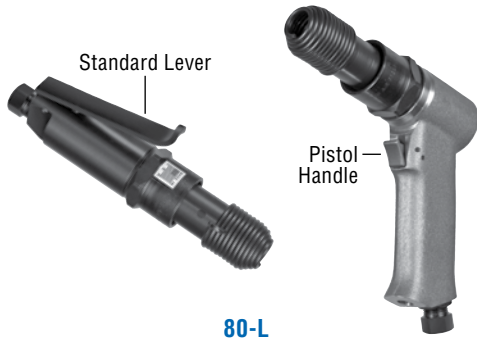


# Chipping Hammers

## 80 Series



80-L

## TC-183 Series



TC-183-L

Handle Type	Handle Type	MODEL NUMBER
 0.371 Hex Shank	Lever	80L;HEX
	Safety Lever	80K;HEX
	Pistol	80W;HEX
 0.401 Round Shank	Lever	80L;RND
	Safety Lever	80K;RND
	Pistol	80W;RND

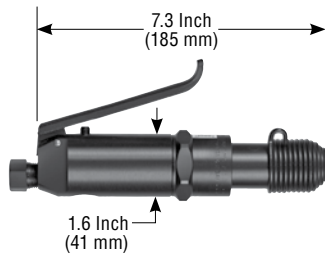
Handle Type	Handle Type	MODEL NUMBER
 0.580 Hex Shank	Lever	TC-183-L;HEX
	Safety Lever	TC-183-K;HEX
	Push	TC-183-P;HEX
	Pistol	TC-183-W;HEX
 0.680 Round Shank	Lever	TC-183-L;RND
	Safety Lever	TC-183-K;RND
	Push	TC-183-P;RND
	Pistol	TC-183-W;RND

**bore stroke** 0.6 Inch X 1.4 Inch (15mm X 36mm)

**Lbs** 2.8 Lbs. (1.3 Kg)

**cfm** 15 cfm (7.1 L/s)

**SUPPLY** 1/4" NPT Inlet  
3/8" (10 mm) Hose Size

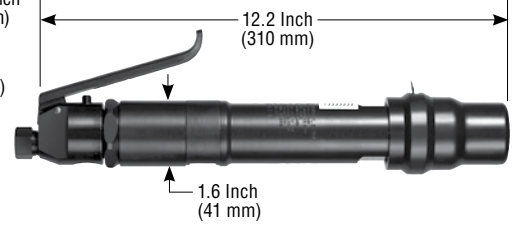


**bore stroke** 0.9 Inch X 3.0 Inch (23mm X 76mm)

**Lbs** 5.5 Lbs. (2.5 Kg)

**cfm** 25 cfm (11.8 L/s) Max

**SUPPLY** 1/4" NPT Inlet  
3/8" (10 mm) Hose Size



### Handle Types



### Chisels – 0.401 Round

Description	Cutting Edge	Overall Length	Part Number
Flat Chisel	1/2" (12.7mm)	7" (178mm)	595002
Blank Chisel		7" (178mm)	595005

Other Sizes And Styles Available

### Chisels – 0.371 Hexagon

Description	Cutting Edge	Overall Length	Part Number
Flat Chisel	1/2" (12.7mm)	12" (305mm)	595016

Other Sizes And Styles Available

### Chisels – 0.580 Hexagon

Description	Cutting Edge	Overall Length	Part Number
Flat Chisel	1" (25.4mm)	9" (229cm)	839008
Flat Chisel	1" (25.4mm)	12" (30.5cm)	839009
Flat Chisel	1" (25.4mm)	18" (457cm)	839010
Moil Point		9" (229cm)	839018
Wide Flat	2" (50.8mm)	12" (30.5cm)	839016

Other Sizes And Styles Available

### Chisels – 0.680 Round

Description	Cutting Edge	Overall Length	Part Number
Flat Chisel	1" (25.4mm)	9" (229cm)	839014
Flat Chisel	1" (25.4mm)	12" (30.5cm)	839083
Flat Chisel	1" (25.4mm)	18" (457cm)	839045
Moil Point		9" (229cm)	839023
Wide Flat	1.5" (38.1mm)	9" (229cm)	839019
Wide Flat	2" (50.8mm)	9" (229cm)	839017

Other Sizes And Styles Available