

Scalers

TC-1 Series



TC-1-L

Spring Style Chisel Retainer



Standard Lever



Safety Lever



Push Handle



Pistol Handle



Flow Through Handle

TC-182 Series



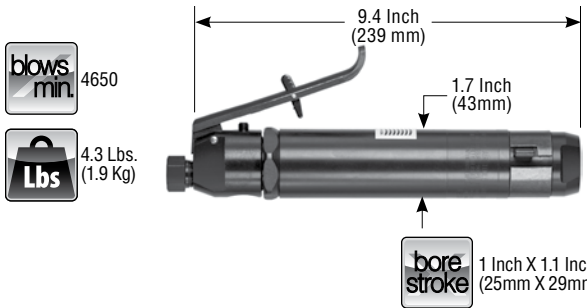
TC-182-L

Collar Style Chisel Retainer

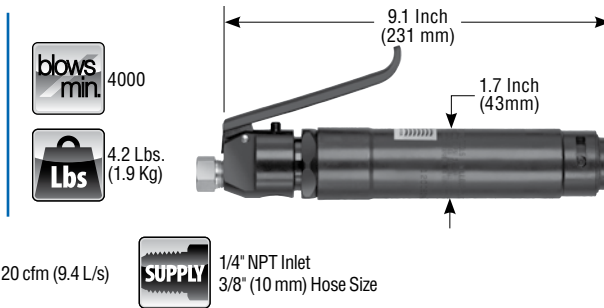
Chisel Type	Handle Type	MODEL NUMBER	Chisel Type	Handle Type	MODEL NUMBER
 1/2" Square	Lever	TC-1-L	 1/4" Octagon	Lever	TC-182-L
	Safety Lever	TC-1-K		Safety Lever	TC-182-K
	Push	TC-1-P		Push	TC-182-P
	Pistol	TC-1-W		Pistol	TC-182-W
	Flow Through	TC-1-FT		Flow Through	TC-182-FT
Pipe-Extended Lever	TC-1-FL;PL48	Pipe-Extended Lever	TC-182-FL;PL48		



Floor Scraper
TC-1-FL;PL48



blows min. 4650
Lbs 4.3 Lbs. (1.9 Kg)
9.4 Inch (239 mm)
1.7 Inch (43 mm)
bore stroke 1 Inch X 1.1 Inch (25mm X 29mm)
cfm 20 cfm (9.4 L/s)



blows min. 4000
Lbs 4.2 Lbs. (1.9 Kg)
9.1 Inch (231 mm)
1.7 Inch (43 mm)
SUPPLY 1/4" NPT Inlet
3/8" (10 mm) Hose Size

Chisels – 1/2 Inch Square Shank

Description	Cutting Edge	Overall Length	Part Number
Narrow Flat Chisel	3/4" (19mm)	7" (178mm)	839051
Narrow Flat Chisel	3/4" (19mm)	12" (305mm)	839341
Narrow Flat Chisel	3/4" (19mm)	18" (457mm)	839335
Wide Angle Chisel	1 3/8" (34.9mm)	7" (178mm)	839050
Wide Angle Chisel	1 3/8" (34.9mm)	12" (305mm)	839299
Wide Angle Chisel	1 3/8" (34.9mm)	18" (457mm)	839334
Blank Chisel	7" (178mm)	839052	
Blank Chisel	12" (305mm)	839053	
Blank Chisel	18" (457mm)	839054	
Wide Chisel	1 3/8" (34.9mm)	7" (178mm)	839467
Wide Chisel	1 3/8" (34.9mm)	12" (305mm)	839469
2 Inch Wide Scraper	2" (50.8mm)	7" (178mm)	839468

Other Sizes And Styles Available

Chisels – 1/4 Inch Octagon

Description	Cutting Edge	Overall Length	Part Number
Narrow Flat Chisel	3/4" (19mm)	7" (17.8cm)	839601
Narrow Flat Chisel	3/4" (19mm)	12" (30.5cm)	839601-12
Blank Chisel	7" (17.8cm)	839605	
Blank Chisel	12" (30.5cm)	839605-12	
Wide Chisel	1 3/8" (34.9mm)	7" (17.8cm)	839602
Wide Angle Chisel	1 3/8" (34.9mm)	7" (17.8cm)	839604
Wide Angle Chisel	1 3/8" (34.9mm)	12" (30.5cm)	839604-12

Other Sizes And Styles Available