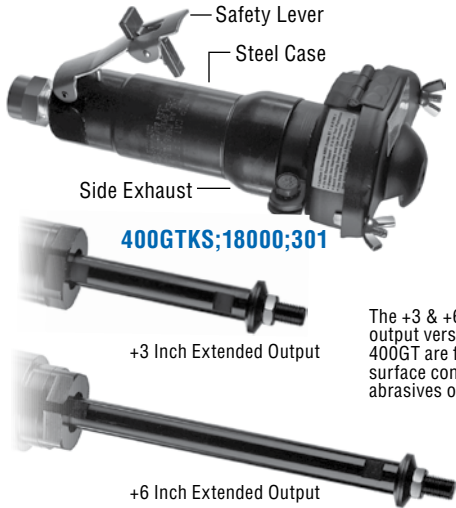


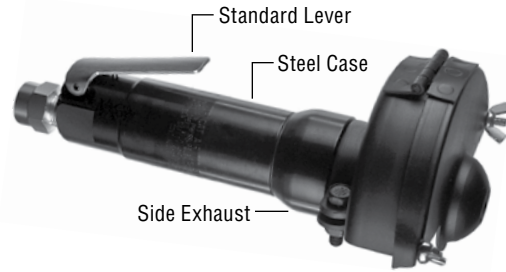
Die Grinders (Type 1, Type 1 Cut-Off, Type 41 Wheels)

400GT / 400GT+3 / 400GT+6 Series

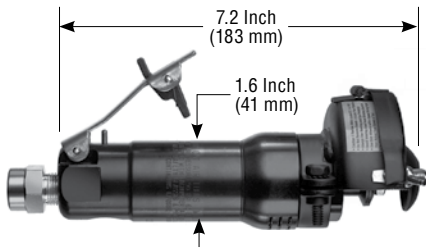


The +3 & +6 extended output versions of the 400GT are for use with surface conditioning abrasives only.

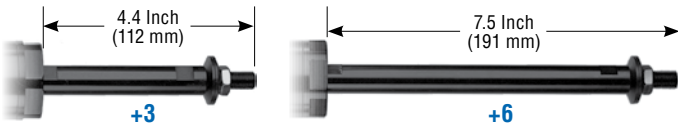
407GT Series



Guard/Wheel Size	Max. Rated Speed	Exhaust Direction	Lever Style	MODEL NUMBER	Guard/Wheel Size	Max. Rated Speed	Exhaust Direction	Lever Style	MODEL NUMBER
3 Inch (75 mm)	18,000 RPM	Side	Standard Lever	400GTS;18000;301	4 Inch (100 mm)	15,000 RPM	Side	Standard Lever	407GTS;15000;401
			Safety Lever	400GTSK;18000;301				Safety Lever	407GTSK;15000;401
		Rear	Standard Lever	400GTSR;18000;301					
			Safety Lever	400GTSRK;18000;301					



Add +3 or +6 to the model numbers above for extended output.



1.2 H.P.
(900 W)



35 cfm
(16.5 L/s) Max



2.4 Lbs. (1.1 Kg) Aluminum
3.0 Lbs. (1.4 Kg) Steel



3/8" NPT Inlet
1/2" (13mm) Hose Size



1.2 H.P.
(900 W)



35 cfm
(16.5 L/s) Max



2.8 Lbs. (1.3 Kg) Aluminum
3.4 Lbs. (1.5 Kg) Steel

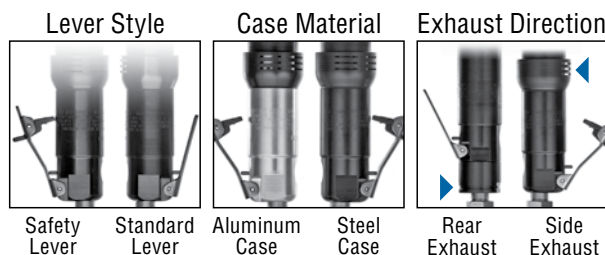


3/8" NPT Inlet
1/2" (13 mm) Hose Size

STANDARD EQUIPMENT

- Tool
- Operating Instructions and Service Manual
- Wrenches (sizes based on options)

400GT & 407GT Alternate Options



Type 1 Wheel

