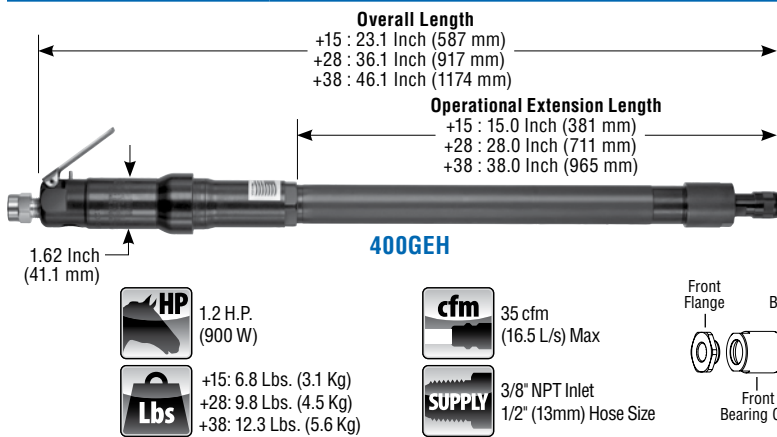


Extended Grinders

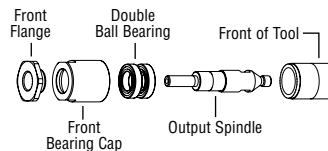
400GEH & 407GEH Series



Output	Max. Rated Speed	Lever Style	MODEL NUMBER		
			with 15 Inch Extension	with 28 Inch Extension	with 38 Inch Extension
Collet ER Style Insert Collet 3/8 Inch (8mm) Maximum	20,000 RPM	Standard Lever	400GEHSD+15;20000;1/4	400GEHSD+28;20000;1/4	400GEHSD+38;20000;1/4
		Safety Lever	400GEHSDK+15;20000;1/4	400GEHSDK+28;20000;1/4	400GEHSDK+38;20000;1/4
	18,000 RPM	Standard Lever	400GEHSD+15;18000;1/4	400GEHSD+28;18000;1/4	400GEHSD+38;18000;1/4
		Safety Lever	400GEHSDK+15;18000;1/4	400GEHSDK+28;18000;1/4	400GEHSDK+38;18000;1/4
Cone Wheel 3/8-24 Cone Wheel Spindle	20,000 RPM	Standard Lever	400GEHS1+15;20000	400GEHS1+28;20000	400GEHS1+38;20000
		Safety Lever	400GEHSK1+15;20000	400GEHSK1+28;20000	400GEHSK1+38;20000
	18,000 RPM	Standard Lever	400GEHS1+15;18000	400GEHS1+28;18000	400GEHS1+38;18000
		Safety Lever	400GEHSK1+15;18000	400GEHSK1+28;18000	400GEHSK1+38;18000
Cone Wheel 5/8-11 Cone Wheel Spindle	20,000 RPM	Standard Lever	400GEHS2+15;20000	400GEHS2+28;20000	400GEHS2+38;20000
		Safety Lever	400GEHSK2+15;20000	400GEHSK2+28;20000	400GEHSK2+38;20000
	18,000 RPM	Standard Lever	400GEHS2+15;18000	400GEHS2+28;18000	400GEHS2+38;18000
		Safety Lever	400GEHSK2+15;18000	400GEHSK2+28;18000	400GEHSK2+38;18000
4" Type 1 Wheel 3/8-24 Type 1 Wheel	15,000 RPM	Standard Lever	407GEHS4+15;15000;401	407GEHS4+28;15000;401	407GEHS4+38;15000;401
		Safety Lever	407GEHSK4+15;15000;401	407GEHSK4+28;15000;401	407GEHSK4+38;15000;401



Other Collet Sizes are Available

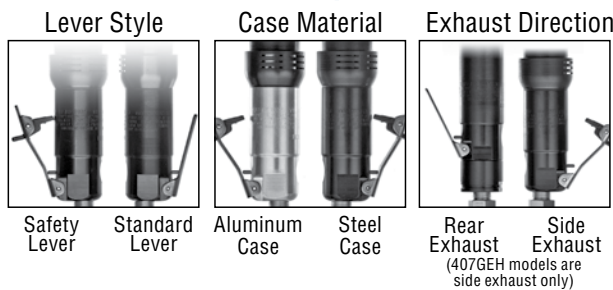


EXTENDED GRINDERS

STANDARD EQUIPMENT

- Tool
- Operating Instructions and Service Manual
- Wrenches (sizes based on options)

400GEH & 407GEH Series Alternate Options



Abrasive Disk Mounting

