

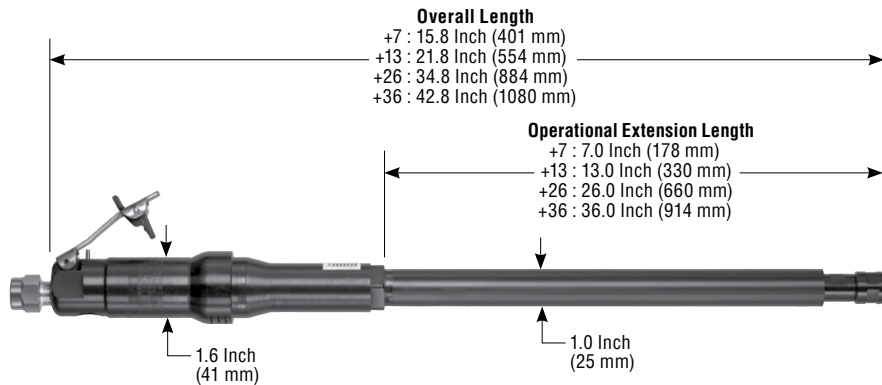
Narrow Neck Extended Grinders

400EH Series



Output	Max. Rated Speed	Lever Style	MODEL NUMBER			
			with 7 Inch Extension	with 13 Inch Extension	with 26 Inch Extension	with 36 Inch Extension
Collet ER Style Insert Collet 3/8 Inch (8mm) Maximum	20,000 RPM	Standard Lever	400EHS+7;20000;1/4	400EHS+13;20000;1/4	400EHS+26;20000;1/4	400EHS+36;20000;1/4
		Safety Lever	400EHSK+7;20000;1/4	400EHSK+13;20000;1/4	400EHSK+26;20000;1/4	400EHSK+36;20000;1/4
	18,000 RPM	Standard Lever	400EHS+7;18000;1/4	400EHS+13;18000;1/4	400EHS+26;18000;1/4	400EHS+36;18000;1/4
		Safety Lever	400EHSK+7;18000;1/4	400EHSK+13;18000;1/4	400EHSK+26;18000;1/4	400EHSK+36;18000;1/4
Cone Wheel 3/8-24 Cone Wheel Spindle	20,000 RPM	Standard Lever	400EHS1+7;20000	400EHS1+13;20000	400EHS1+26;20000	400EHS1+36;20000
		Safety Lever	400EHSK1+7;20000	400EHSK1+13;20000	400EHSK1+26;20000	400EHSK1+36;20000
	18,000 RPM	Standard Lever	400EHS1+7;18000	400EHS1+13;18000	400EHS1+26;18000	400EHS1+36;18000
		Safety Lever	400EHSK1+7;18000	400EHSK1+13;18000	400EHSK1+26;18000	400EHSK1+36;18000

Other Collet Sizes are Available

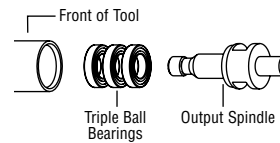


HP 1.2 H.P. (900 W)

Lbs +7: 4.8 Lbs. (2.2 Kg)
+13: 6.0 Lbs. (2.7 Kg)
+26: 8.7 Lbs. (3.9 Kg)
+36: 10.7 Lbs. (4.8 Kg)

cfm 35 cfm (16.5 L/s) Max

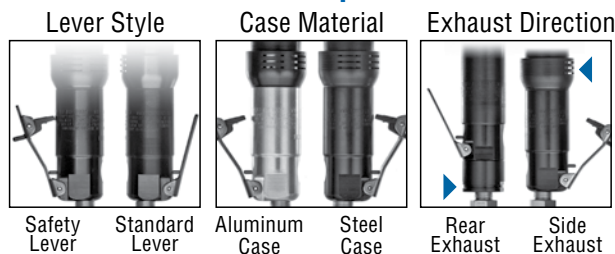
SUPPLY 3/8" NPT Inlet
1/2" (13mm) Hose Size



STANDARD EQUIPMENT

- Tool
- Operating Instructions and Service Manual
- Wrenches (sizes based on options)

400EH Series Alternate Options



Abrasive Disk Mounting

