

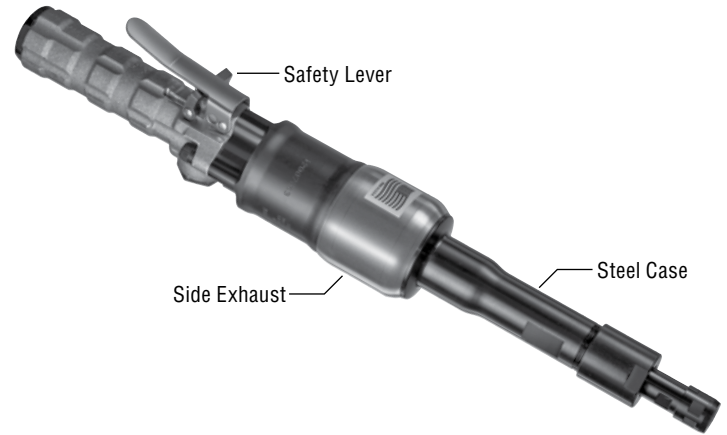
## Horizontal Die Grinders (Collet Output)

### 400GH Series



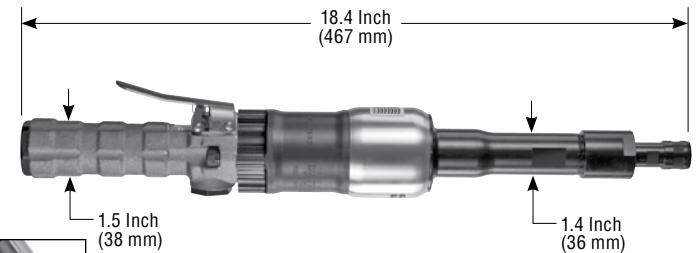
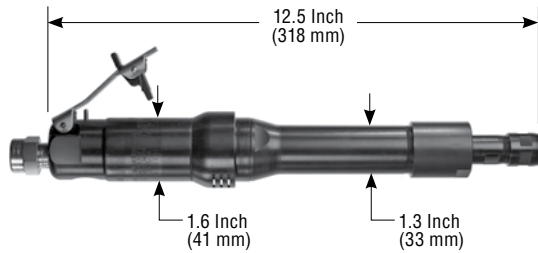
**400GHKSD;20000;1/4**

### 507H Series



**500HKSD;18000;1/4**

Collet Type/Capacity	Exhaust Direction	Max. Rated Speed	Lever Style	MODEL NUMBER	Collet Type/Capacity	Exhaust Direction	Max. Rated Speed	Lever Style	MODEL NUMBER			
1/4 Inch Standard ER Style Insert Collet 3/8 Inch or (10mm) Maximum	Side	20000 RPM	Standard Lever	400GHSD;20000;1/4	1/4 Inch Standard 3/8 Inch or (10 mm) Maximum	Side	18000 RPM	Standard Lever	507HLS;18000;1/4			
			Safety Lever	400GHKSD;20000;1/4					Safety Lever	507HKSD;18000;1/4CXZ		
			Rear	Standard Lever						400GHSRD;20000;1/4	Standard Lever	
				Safety Lever						400GHKSRD;20000;1/4		Safety Lever
	Rear	18000 RPM	Standard Lever	400GHSD;18000;1/4								
			Safety Lever	400GHKSD;18000;1/4								
			Standard Lever	400GHSRD;18000;1/4								
			Safety Lever	400GHKSRD;18000;1/4								



1.2 H.P.  
(900 W)



35 cfm (16.5 L/s)



3.2 Lbs. (1.4 Kg) Aluminum  
3.8 Lbs. (1.7 Kg) Steel



3/8" NPT Inlet  
1/2" (13 mm) Hose Size



1.5 H.P.  
(1.1 kW)



35 cfm  
(16.5 L/s) Max



6.5 Lbs. (3.0 Kg) Steel Only

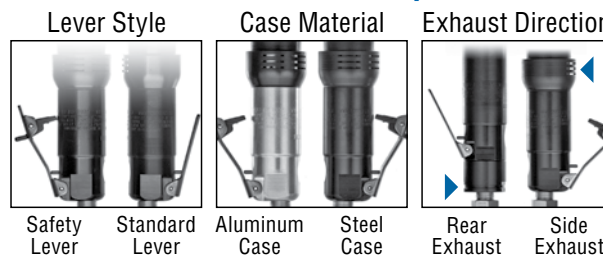


1/2" NPT Inlet  
1/2" (13 mm) Hose Size

### STANDARD EQUIPMENT

- Tool
- Operating Instructions and Service Manual
- Wrenches (sizes based on options)

### 400GH Series Alternate Options



### Inserted Tool Mounting

