

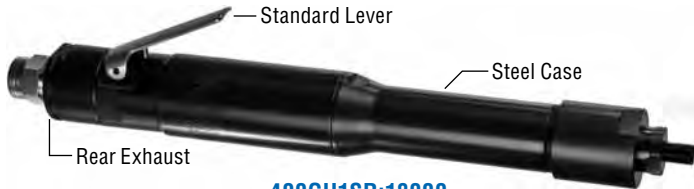
**Horizontal Grinders for 3/8-24 Cone Wheels**

**400GH Series**

**507H Series**



**400GH1SK;18000**

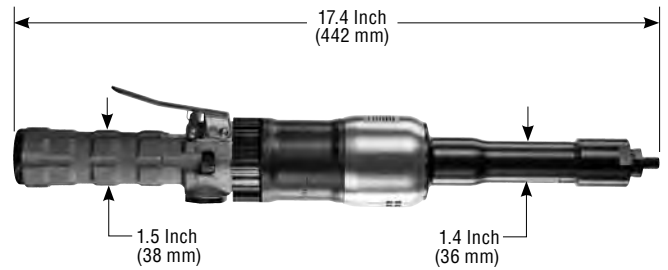
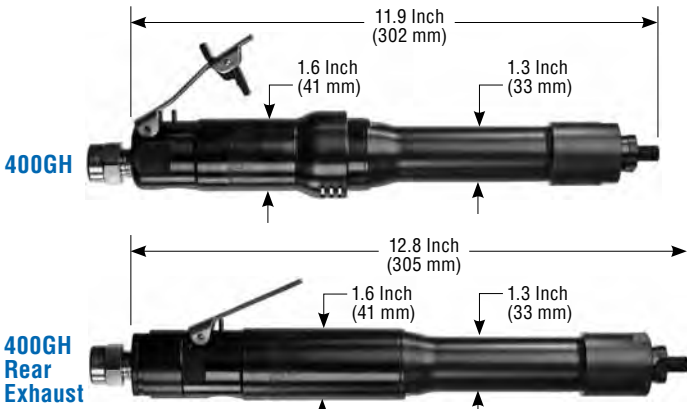


**400GH1SR;18000**



**507HKS1;18000**

Max. Rated Speed	Exhaust Direction	Lever Style	MODEL NUMBER	Max. Rated Speed	Exhaust Direction	Lever Style	MODEL NUMBER	
20000 RPM	Side	Standard Lever	<b>400GH1S;20000</b>	18000 RPM	Side	Standard Lever	<b>507HLS1;18000</b>	
		Safety Lever	<b>400GH1SK;20000</b>			Safety Lever	<b>507HKS1;18000</b>	
	Rear	Standard Lever	<b>400GH1SR;20000</b>			Standard Lever	-	
		Safety Lever	<b>400GH1SKR;20000</b>					
18000 RPM	Side	Standard Lever	<b>400GH1S;18000</b>		-	-	-	-
		Safety Lever	<b>400GH1SK;18000</b>					
	Rear	Standard Lever	<b>400GH1SR;18000</b>					
		Safety Lever	<b>400GH1SKR;18000</b>					



1.2 H.P. (900 W)



35 cfm (16.5 L/s)



3.2 Lbs. (1.4 Kg) Aluminum  
3.8 Lbs. (1.7 Kg) Steel



3/8" NPT Inlet  
1/2" (13 mm) Hose Size



1.5 H.P. (1.1 kW)



20 cfm (9.4 L/s) Free Speed  
35 cfm (16.5 L/s) Max



6.5 Lbs. (3.0 Kg) Steel Only

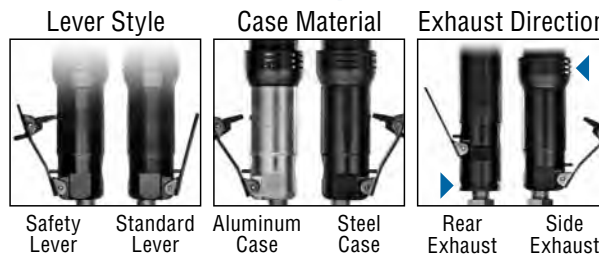


1/2" NPT Inlet  
1/2" (13 mm) Hose Size

**STANDARD EQUIPMENT**

- Tool
- Operating Instructions and Service Manual
- Wrenches (sizes based on options)

**400GH Series Series Alternate Options**



**Cone Wheel Mounting**

