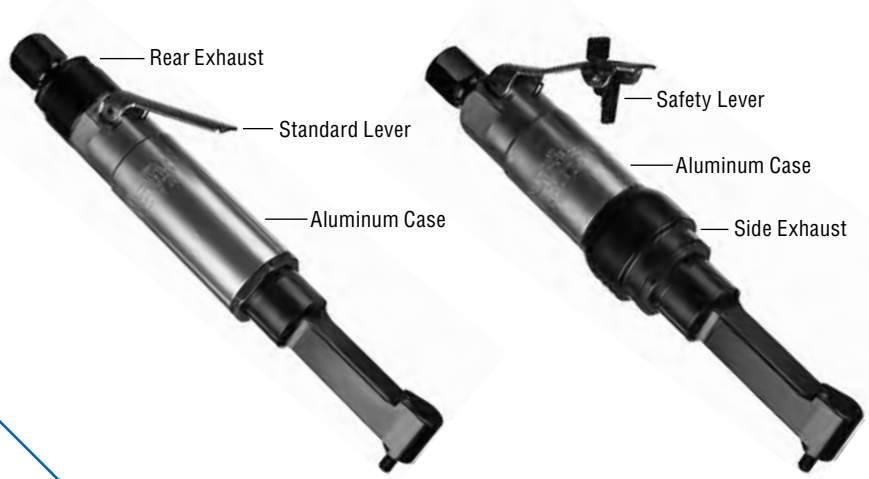


Extended Right Angle Sanders, Buffers & Polishers for Surface Finishing Abrasives

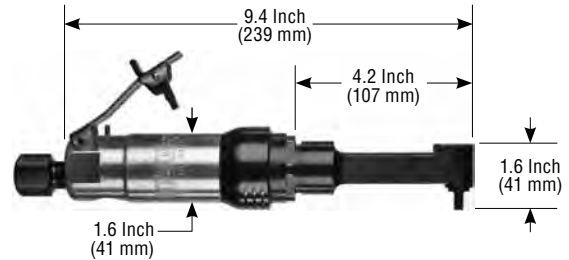
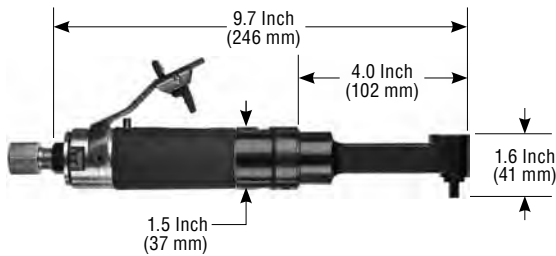
3101RA Series


3101RA6K;23000

4101RA Series


4101RA6R;15000
4101RA6K;15000

Sanding Pad Size	Exhaust Direction	Lever Style	MODEL NUMBER	Sanding Pad Size	Exhaust Direction	Lever Style	MODEL NUMBER
2 Inch (50 mm) 1/4-20 Spindle Output Thread	Side	Standard Lever	3101RA6;23000	2 Inch (50 mm) 1/4-20 Spindle Output Thread	Side	Standard Lever	4101RA6;15000
		Safety Lever	3101RA6K;23000			Safety Lever	4101RA6K;15000
	Rear	Standard Lever	3101RA6R;23000		Rear	Standard Lever	4101RA6R;15000
		Safety Lever	3101RA6KR;23000			Safety Lever	4101RA6KR;15000


0.7 H.P.
(600 W)

25 cfm
(11.8 L/s) Max

2.0 Lbs. (0.9 Kg) Aluminum
2.4 Lbs. (1.1 Kg) Steel

1/4" NPT Inlet
3/8" (10 mm) Hose Size

1.2 H.P.
(900 W)

35 cfm
(16.5 L/s) Max

2.3 Lbs. (1.0 Kg) Aluminum
2.9 Lbs. (1.3 Kg) Steel

3/8" NPT Inlet
1/2" (13 mm) Hose Size

STANDARD EQUIPMENT

- Tool
- Operating Instructions and Service Manual
- Wrenches (sizes based on options)

3101RA Alternate Options

Case Material



Aluminum Case Steel Case

3101-4101RA Alternate Options

Lever Style



Safety Lever Standard Lever

4101RA Alternate Options

Case Material



Aluminum Case Steel Case

Surface Conditioning Abrasive Mounting

