

## Extended Right Angle Collet Grinders

### 320RAD Series



320RADK;20000;1/4

### 420RAD Series

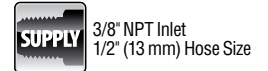
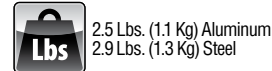
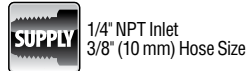
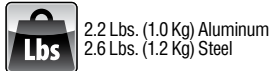
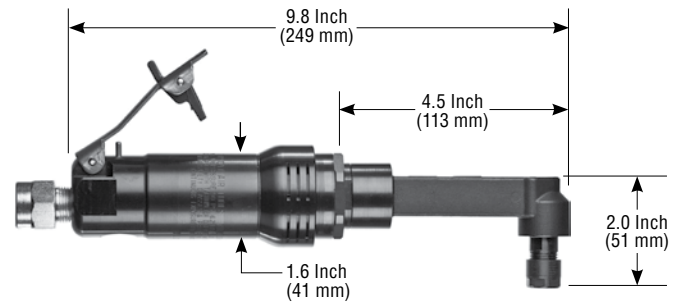
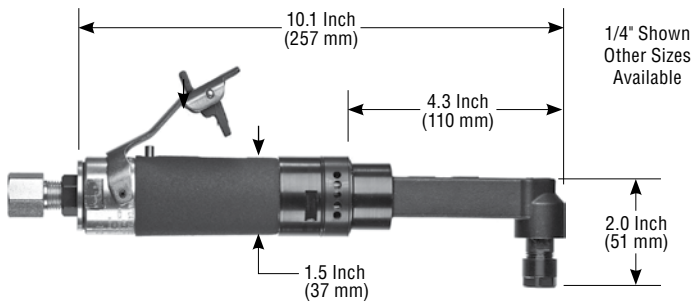


420RADSK;13000;1/4

420RADRS;13000;1/4

RIGHT ANGLE GRINDERS

Exhaust Direction	Lever Style	MODEL NUMBER	Exhaust Direction	Lever Style	MODEL NUMBER
Side	Standard Lever	320RAD;20000;1/4	Side	Standard Lever	420RADS;13000;1/4
	Safety Lever	320RADK;20000;1/4		Safety Lever	420RADSK;13000;1/4
Rear	Standard Lever	320RADR;20000;1/4	Rear	Standard Lever	420RADRS;13000;1/4
	Safety Lever	320RADRK;20000;1/4		Safety Lever	420RADRSK;13000;1/4



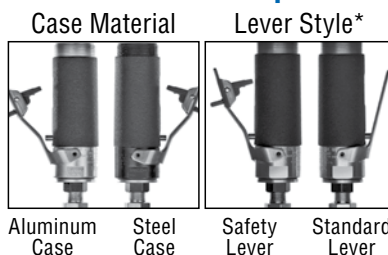
### STANDARD EQUIPMENT

- Tool
- Operating Instructions and Service Manual
- Wrenches (sizes based on options)

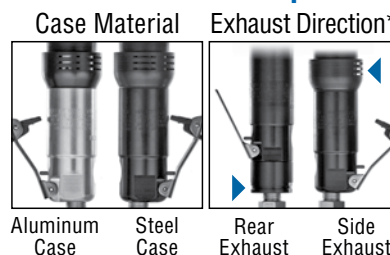


The ER Heavy Duty Collet is Standard Equipment on 320RAED & 420RAED Series.

### 320RAD Alternate Options



### 420RAED Alternate Options



### Abrasive Mounting



\*APPLIES TO BOTH TOOL SERIES