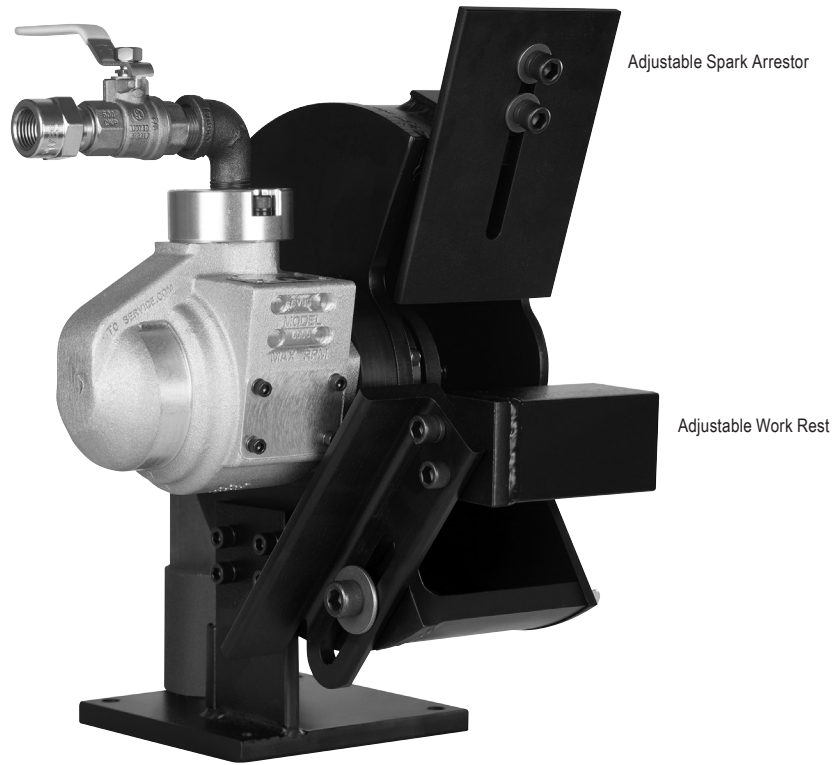
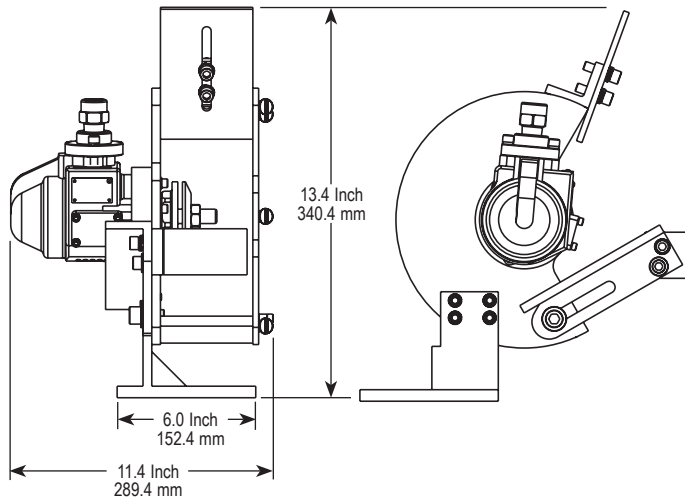


Bench Grinder

66BVG



MODEL NUMBER
66BVG;6000;9



HP 4.0 H.P.
(3000 W)

Lbs 51.0 Lbs (23.0 Kg)

cfm 25 cfm (11.8 L/s) Free
75 cfm (35.4 L/s) Max

SUPPLY 1/2" NPT Inlet
1/2" (13mm) Hose Size

STANDARD EQUIPMENT

- Tool
- Operating Instructions and Service Manual
- Wrenches (sizes based on options)