

Right Angle Grinders for Type 27, Type 27 Cut-Off (Type 42), Type 1 Cut-Off (Type 41) Wheels

520RA Series



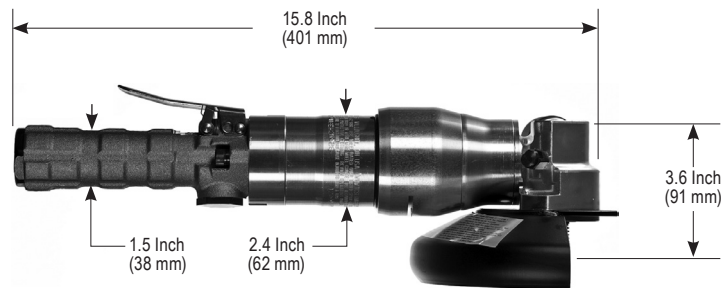
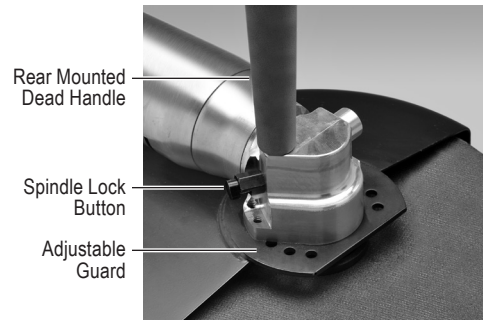
520RAK;8000;727



520RA2L;6000;1041

RIGHT ANGLE GRINDERS

Wheel Size	Rated Speed	Lever Style	MODEL NUMBER	
			Type 27 Wheels (Type 42)	Type 1 or Type 1 Cut-Off Wheels (Type 41)
7 Inch (180 mm)	6000 RPM	Standard Lever	520RAL;6000;727	
		Safety Lever	520RAK;6000;727	
	8000 RPM	Standard Lever	520RAL;8000;727	
		Safety Lever	520RAK;8000;727	
9 Inch (230 mm)	6000 RPM	Standard Lever	520RAL;6000;927	
		Safety Lever	520RAK;6000;927	
		Standard Lever	520RA2L;6000;1041	
		Safety Lever	520RA2K;6000;1041	



HP 2.0 H.P. (1.5 kW)

cfm 20 cfm (9.4 L/s) Free Speed
40 cfm (18.9 L/s) Max

Lbs 7.8 Lbs. (3.5 Kg)

SUPPLY 1/2" NPT Inlet
1/2" (13 mm) Hose Size

STANDARD EQUIPMENT

- Tool
- Operating Instructions and Service Manual
- Wrenches (sizes based on options)

520RA Alternate Options



Wheel Mounting



The depressed center wheel adapters (P/N: 849269) are not supplied as standard equipment with the tools. If you are using a wheel that requires adapters, they must be purchased separately.