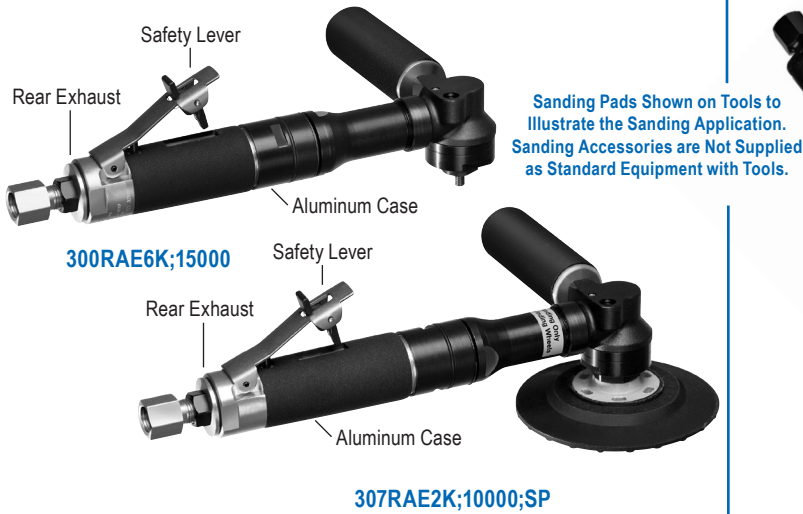


Extended Right Angle Sanders, Buffers & Polishers for Surface Finishing Abrasives

300RAE Series & 307RAE/317RAE Series



400RAE Series & 407RAE Series



RIGHT ANGLE SANDERS

Recommended Maximum Sanding Pad Size	Exhaust Direction	Spindle Output	Lever Style	Model Number
3 Inch (75 mm)	Rear	1/4-20	Standard Lever	300RAE6;15000
			Safety Lever	300RAE6K;15000
4 Inch (100 mm)		3/8-24	Standard Lever	317RAE4;12000;SP
			Safety Lever	317RAE4K;12000;SP
4 1/2 Inch (115 mm)		5/8-11	Standard Lever	300RAE2;13000;SP
			Safety Lever	300RAE2K;13000;SP
5 Inch (125 mm)		Standard Lever	307RAE2;10000;SP	
		Safety Lever	307RAE2K;10000;SP	

The 307RAE is available with rated speeds within the range of 7000 to 10000 RPM.

Recommended Maximum Sanding Pad Size	Exhaust Direction	Spindle Output	Lever Style	Model Number
4 Inch (100 mm)	Side	3/8-24	Standard Lever	400RAE4;10000;SP
	Rear		Safety Lever	400RAE4K;10000;SP
4 1/2 Inch (115 mm)	Side	5/8-11	Standard Lever	410RAE2;13000;SP
	Rear		Safety Lever	410RAE2K;13000;SP
5 Inch (125 mm)	Side	5/8-11	Standard Lever	410RAE2R;13000;SP
	Rear		Safety Lever	410RAE2KR;13000;SP
5 Inch (125 mm)	Side	5/8-11	Standard Lever	400RAE2;10000;SP
	Rear		Safety Lever	400RAE2K;10000;SP
5 Inch (125 mm)	Side	5/8-11	Standard Lever	400RAE2R;10000;SP
	Rear		Safety Lever	400RAE2KR;10000;SP
5 Inch (125 mm)	Side	5/8-11	Standard Lever	407RAE2;8000;SP
	Rear		Safety Lever	407RAE2K;8000;SP

Verify the Maximum Rated Speed of the Sanding Accessory is Higher than the Maximum Rated Speed of the Tool.

300RAE 10.4 Inch (264 mm) | **307RAE** 11.1 Inch (282 mm)

4.7 Inch (119 mm)

1.44 Inch (37 mm)

300RAE6 2.6 Inch (66 mm) | **307RAE** 3.0 Inch (76 mm)

HP 0.7 H.P. (600 W)

cfm 300RAE: 25 cfm (11.8 L/s) Max
307RAE: 15 cfm (7.1 L/s) Free Speed
25 cfm (11.8 L/s) Max

Lbs 3.1 Lbs. (1.4 Kg) Aluminum
3.5 Lbs. (1.6 Kg) Steel

SUPPLY 1/4" NPT Inlet
3/8" (10 mm) Hose Size

The 407RAE is available with rated speeds within the range of 6000 to 8000 RPM.

400RAE 11.0 Inch (279 mm) | **407RAE** 11.9 Inch (302 mm)

4.8 Inch (123 mm)

1.6 Inch (41 mm)

3.0 Inch (76 mm)

HP 1.2 H.P. (900 W)

cfm 400RAE: 35 cfm (16.5 L/s) Max
407RAE: 20 cfm (9.4 L/s) Free Speed
35 cfm (16.5 L/s) Max

Lbs 3.6 Lbs. (1.6 Kg) Aluminum
4.2 Lbs. (1.9 Kg) Steel

SUPPLY 3/8" NPT Inlet
1/2" (13 mm) Hose Size

STANDARD EQUIPMENT

- Tool
- Operating Instructions and Service Manual
- Wrenches (sizes based on options)

300RAE & 307RAE Alternate Options



300-400RAE & 307-407RAE Alternate Options



400RAE & 407RAE Alternate Options



Surface Conditioning Abrasive Mounting

